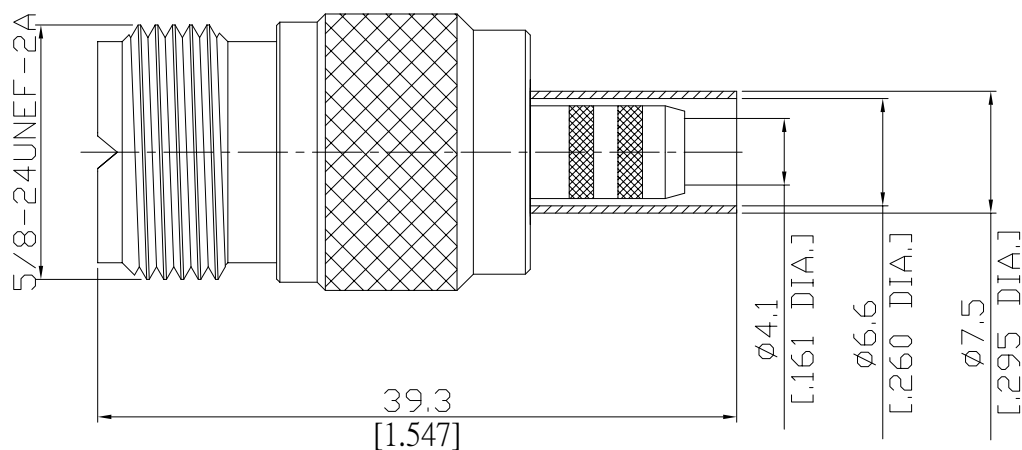


UHF Straight Cable Jack

UHF2CN0-R240A/H4



All dimensions are in mm [inch]

Tolerances according to DIN ISO 2768-mH

Interface

According to IEC 60169-12

Electrical Data

Impedance non-constant
Frequency DC to 300 MHz

- Limitations are possible due to the used cable type and manufacturing process -

Mechanical Data

Coupling mechanisms Screw-lock
Centre contact Soldered or Crimped
Cable entry Crimped

Environmental Data

Temperature range -55°C to +149°C
RoHS compliant

Material And Plating

Connector parts	Material	Plating
Centre contact	Phosphor Bronze	Gold plating(Nickel underplated)
Body	Brass	Copper-Tin-Zinc Alloy
Insulator	PTFE	
Crimp ferrules	Brass	Copper-Tin-Zinc Alloy

Suitable Cables

LMR 240, BELDEN H155, RNL-240

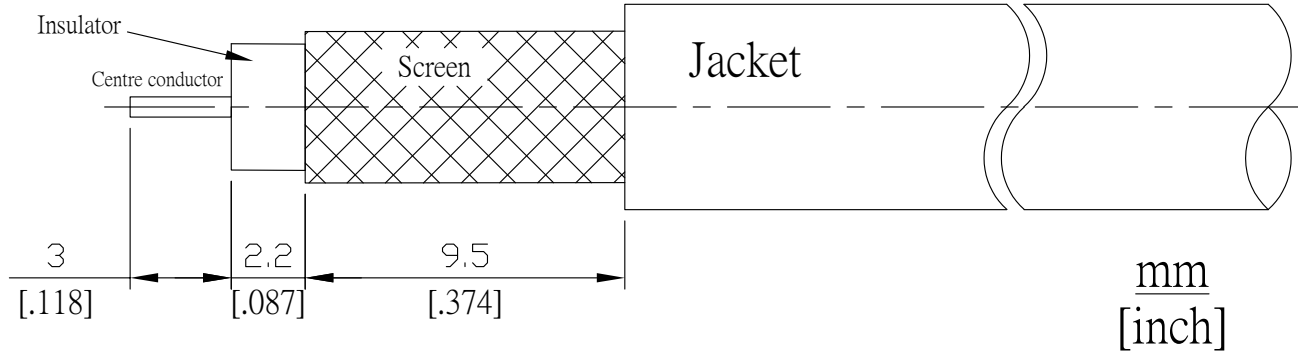
Packing

Single or 100

UHF Straight Cable Jack

UHF2CN0-R240A/H4

Recommended Cable Stripping Dimensions



Crimp Dimensions [HEX]

Crimp ferrule	6.48mm [.255 inch]
Centre contact	1.73mm [.068 inch]