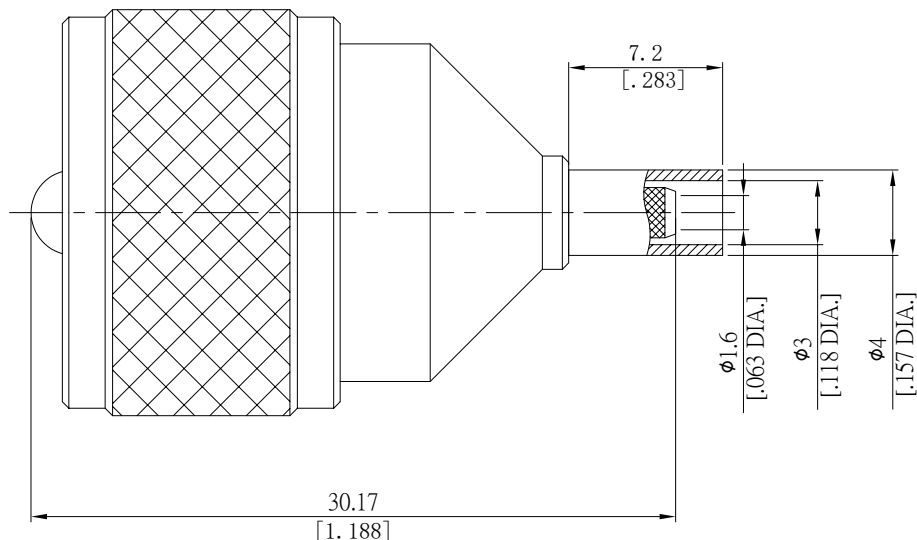


UHF(Male) Straight Cable Plug

UHF1CN0-G316A/144



All dimensions are in mm [inch]

Tolerances according to DIN ISO 2768-mH

Interface

According to IEC 60169-12

Electrical Data

Impedance non-constant
Frequency DC to 300 MHz

- Limitations are possible due to the used cable type and manufacturing process -

Mechanical Data

Coupling mechanisms Screw-lock
Centre contact Soldered or Crimped
Cable entry Crimped

Environmental Data

Temperature range -55°C to +149°C
RoHS compliant

Material And Plating

Connector parts	Material	Plating
Centre contact	Brass	Gold plating(Nickel underplated)
Body	Brass	Copper-Tin-Zinc Alloy
Insulator	PTFE	
Coupling nut	Brass	Copper-Tin-Zinc Alloy
Crimp ferrules	Brass	Copper-Tin-Zinc Alloy

Suitable Cables

RG-174, RG-188A, RG-316, BELDEN 7805

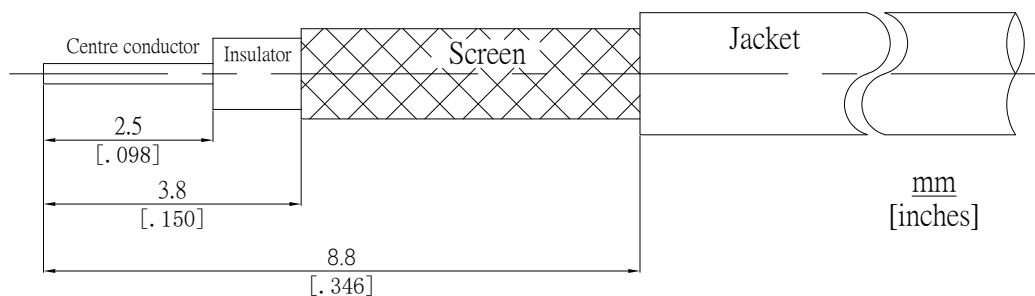
Packing

Single or 100

UHF(Male) Straight Cable Plug

UHF1CN0-G316A/144

Recommended Cable Stripping Dimensions



Crimp Dimensions

Crimp ferrule 3.25 mm [.128 inch] HEX
Center Contact 0.7 mm [.028 inch] SQ