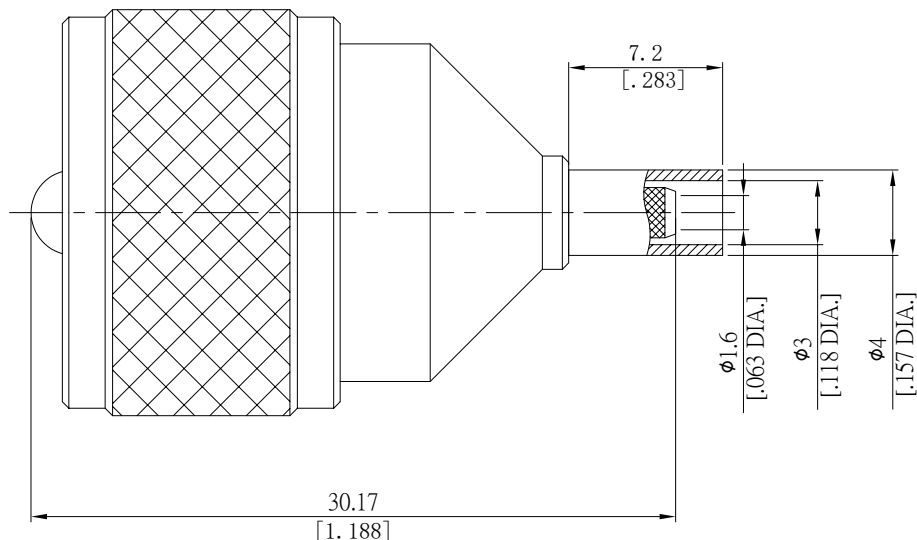


UHF(Male) Straight Cable Plug,
DC to 300 MHz

UHF1CN0-G316A/133



All dimensions are in mm [inch]

Tolerances according to DIN ISO 2768-mH

Interface

According to IEC 60169-12

Electrical Data

Impedance non-constant
Frequency DC to 300 MHz

- Limitations are possible due to the used cable type and manufacturing process -

Mechanical Data

Coupling mechanisms Screw-lock
Centre contact Soldered or Crimped
Cable entry Crimped

Environmental Data

Temperature range -55°C to +149°C
RoHS compliant

Material And Plating

Connector parts	Material	Plating
Centre contact	Brass	Gold plating(Nickel underplated)
Body	Brass	Nickel
Insulator	PTFE	
Coupling nut	Brass	Nickel
Crimp ferrules	Brass	Nickel

Suitable Cables

RG-174, RG-188A, RG-316, BELDEN 7805

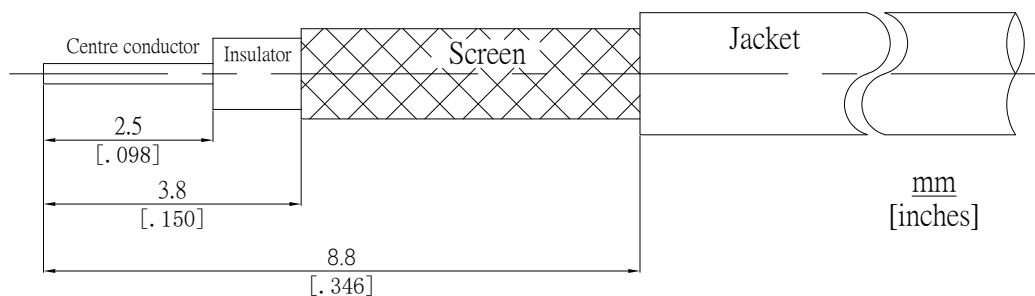
Packing

Single or 100

UHF(Male) Straight Cable Plug,
DC to 300 MHz

UHF1CN0-G316A/133

Recommended Cable Stripping Dimensions



Crimp Dimensions

Crimp ferrule 3.25 mm [.128 inch] HEX
Center Contact 0.7 mm [.028 inch] SQ