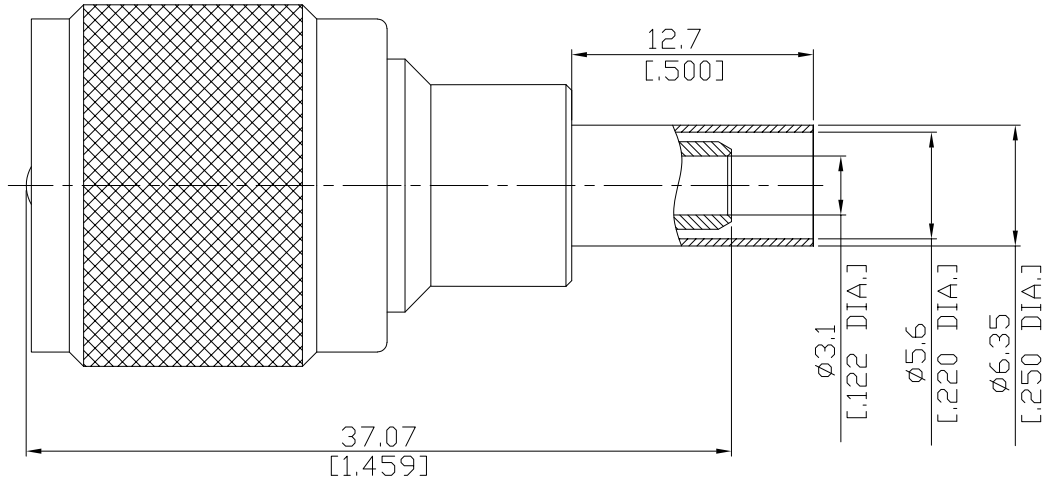


UHF (Male) Straight Cable Plug,
DC-300 MHz, VSWR ≤ 1.22

UHF1CN0-G142A/133



All dimensions are in mm [inch]

Tolerances according to DIN ISO 2768-mH

Interface

According to IEC 60169-12

Electrical Data

Impedance non-constant
Frequency DC to 300 MHz
VSWR (Return Loss) ≤ 1.22 (≥ 20dB)
Insertion Loss ≤ 0.05 dB

- Limitations are possible due to the used cable type and manufacturing process -

Mechanical Data

Coupling mechanisms Screw-lock
Centre contact Soldered or Crimped
Cable entry Crimped

Environmental Data

Temperature range -55°C to +149°C
RoHS compliant

Material And Plating

Connector parts	Material	Plating
Centre contact	Brass	Gold plating(Nickel underplated)
Body	Brass	Nickel
Insulator	PTFE	
Coupling nut	Brass	Nickel
Crimp ferrules	Brass	Nickel

Suitable Cables

RG-55, RG-142, RG-223, RG-400

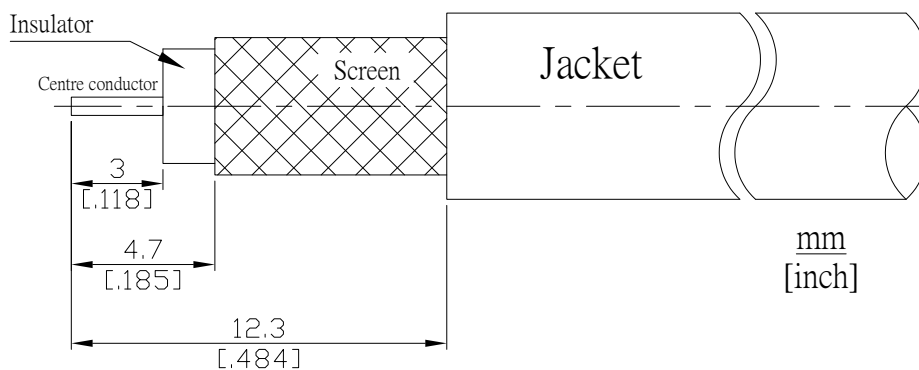
Packing

Single, 5-pack, or 100

UHF (Male) Straight Cable Plug,
DC-300 MHz, VSWR ≤ 1.22

UHF1CN0-G142A/133

Recommended Cable Stripping Dimensions



Crimp Dimensions [HEX]

Crimp ferrule	5.41mm [.213 inch]
Centre contact	1.73mm [.068 inch]