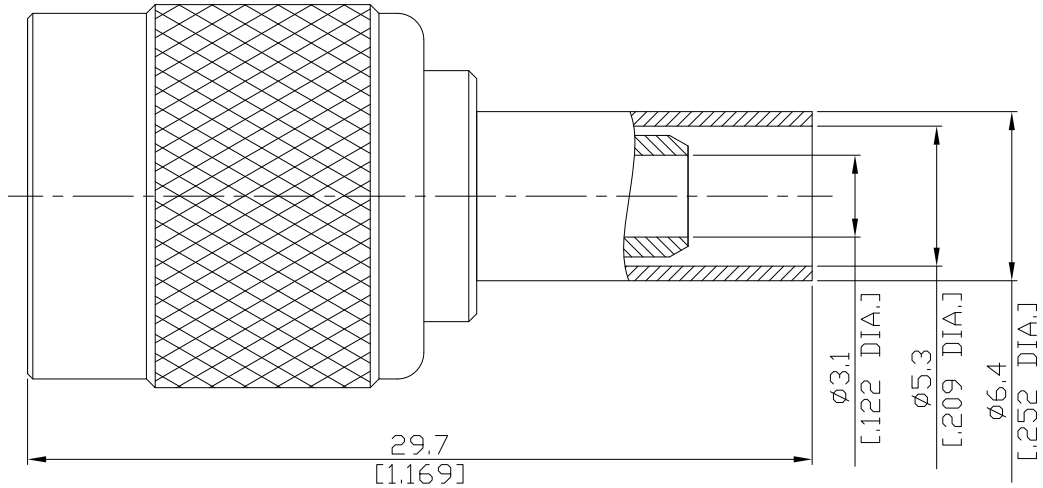


TNC(Male, RP) Reverse Polarity  
Straight Cable Plug

TNC5C50-G058B/H44



All dimensions are in mm [inch]

Tolerances according to DIN ISO 2768-mH

**Interface**

Derived from IEC 60169-17; MIL-STD-348A/313

**Electrical Data**

Impedance 50 Ω  
Frequency DC to 6 GHz

- Limitations are possible due to the used cable type and manufacturing process -

**Mechanical Data**

Coupling mechanisms Screw-lock  
Centre contact Soldered or Crimped  
Cable entry Crimped

**Environmental Data**

Temperature range -65°C to +165°C  
RoHS compliant

**Material And Plating**

Connector parts	Material	Plating
Centre contact	Phosphor Bronze	Gold plating(Nickel underplated)
Body	Brass	Copper-Tin-Zinc Alloy
Insulator	PTFE	
Gasket	Silicone Rubber	
Coupling nut	Brass	Copper-Tin-Zinc Alloy
Crimp ferrules	Brass	Copper-Tin-Zinc Alloy

**Suitable Cables**

RG 58, RG 58A, RG 58C, RG 141, RG 303, BELDEN 7806A, BELDEN 9907, LMR 195, RNL-195

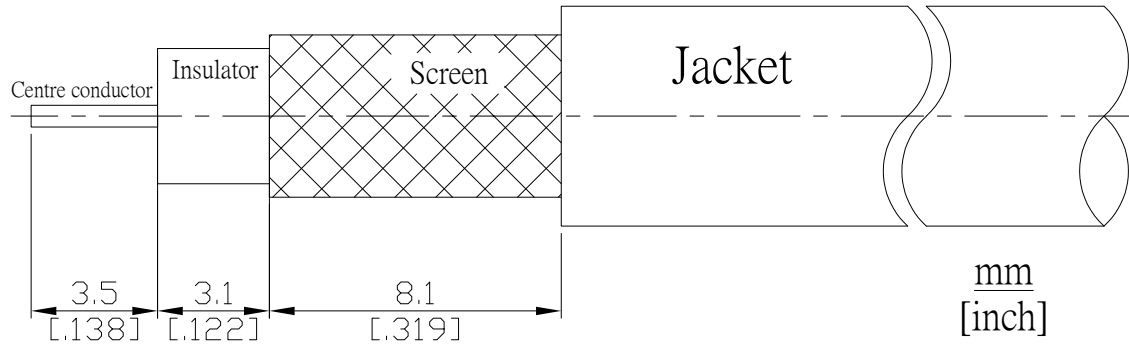
**Packing**

Single, 5-pack, or 100

TNC(Male, RP) Reverse Polarity  
Straight Cable Plug

TNC5C50-G058B/H44

Recommended Cable Stripping Dimensions



Crimp Dimensions [HEX]

Crimp ferrule	5.41mm [.213 inch]
Centre contact	1.73mm [.068 inch]