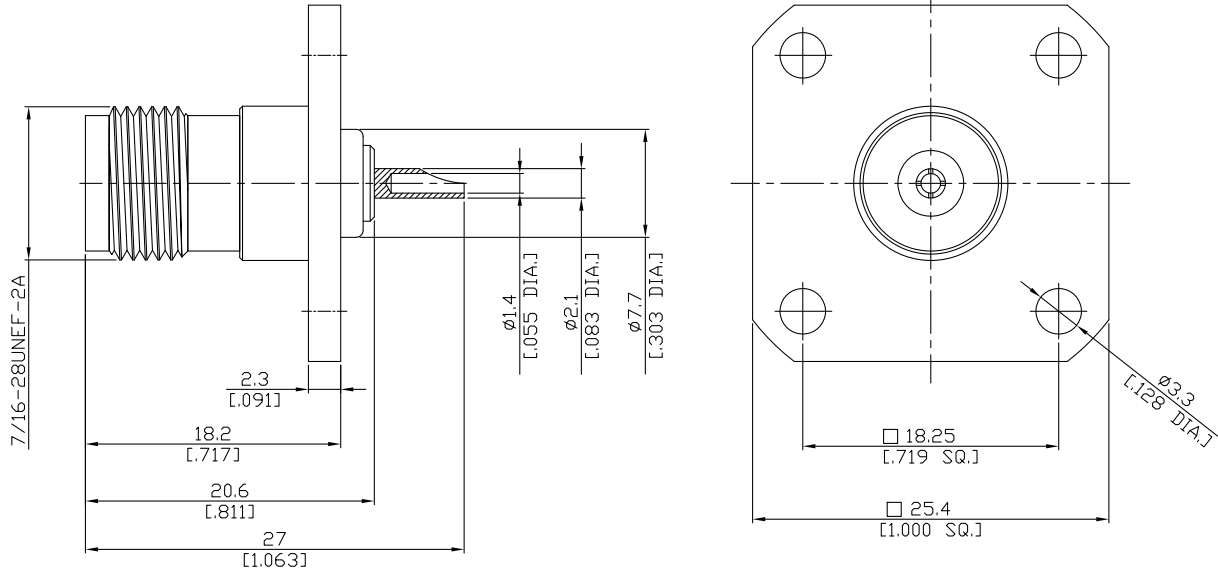


TNC Straight Panel Receptacle Jack (Solder End)

TNC2GFB50-2700A/H4



All dimensions are in mm [inch]

Tolerances according to DIN ISO 2768-mH

Interface

According to MIL-C-39012;MIL-STD-348A/313

Electrical Data

Impedance 50 Ω
Frequency DC to 11 GHz

Mechanical Data

Coupling mechanisms Screw-lock
Weight 0.0114 kg

Environmental Data

Temperature range -65°C to +165°C
RoHS compliant

Material And Plating

Piece Parts	Material	Plating
Centre contact	Phosphor Bronze	Gold plating(Nickel underplated)
Body	Brass	Copper-Tin-Zinc Alloy
Insulator	PTFE	

Packing

Single or 100

Related Document

Mounting Dimension MD138