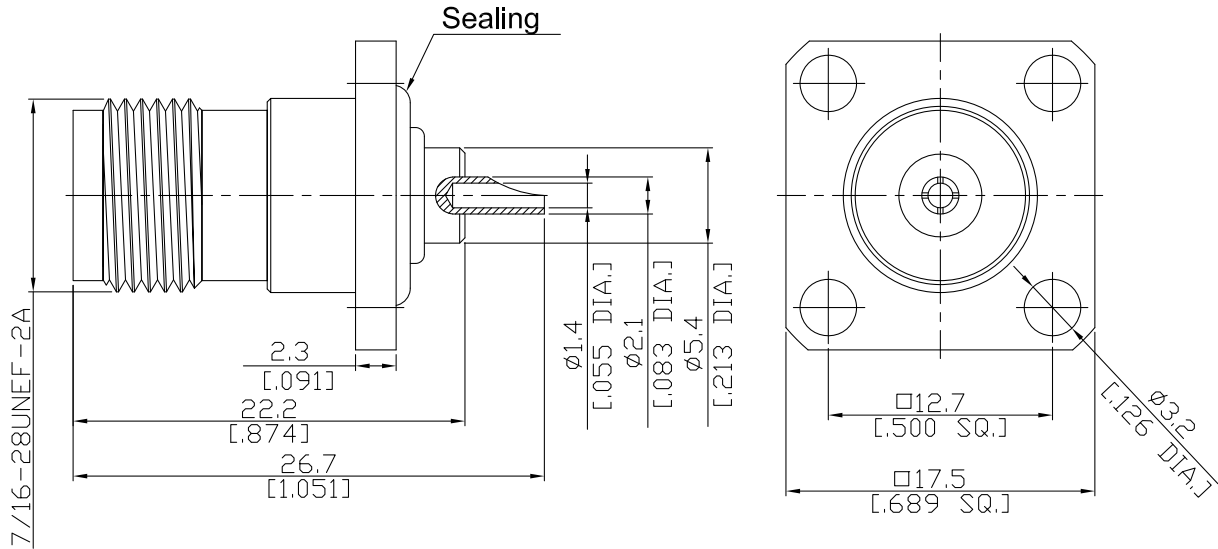


## TNC Straight Panel Receptacle Jack (Solder End)

### TNC2GFB50-2670B/H3



All dimensions are in mm [inch]  
Tolerances according to DIN ISO 2768-mH

#### Interface

According to MIL-C-39012;MIL-STD-348A/313

#### Electrical Data

Impedance 50 Ω  
Frequency DC to 11 GHz

#### Mechanical Data

Coupling mechanisms Screw-lock  
Weight 0.0102 kg

#### Environmental Data

Temperature range -65°C to +165°C  
RoHS compliant

#### Material And Plating

Piece Parts	Material	Plating
Centre contact	Phosphor Bronze	Gold plating(Nickel underplated)
Body	Brass	Nickel
Insulator	PTFE	
Gasket	Silicone Rubber	

#### Packing

Single or 100

#### Related Document

Mounting Dimension MD39