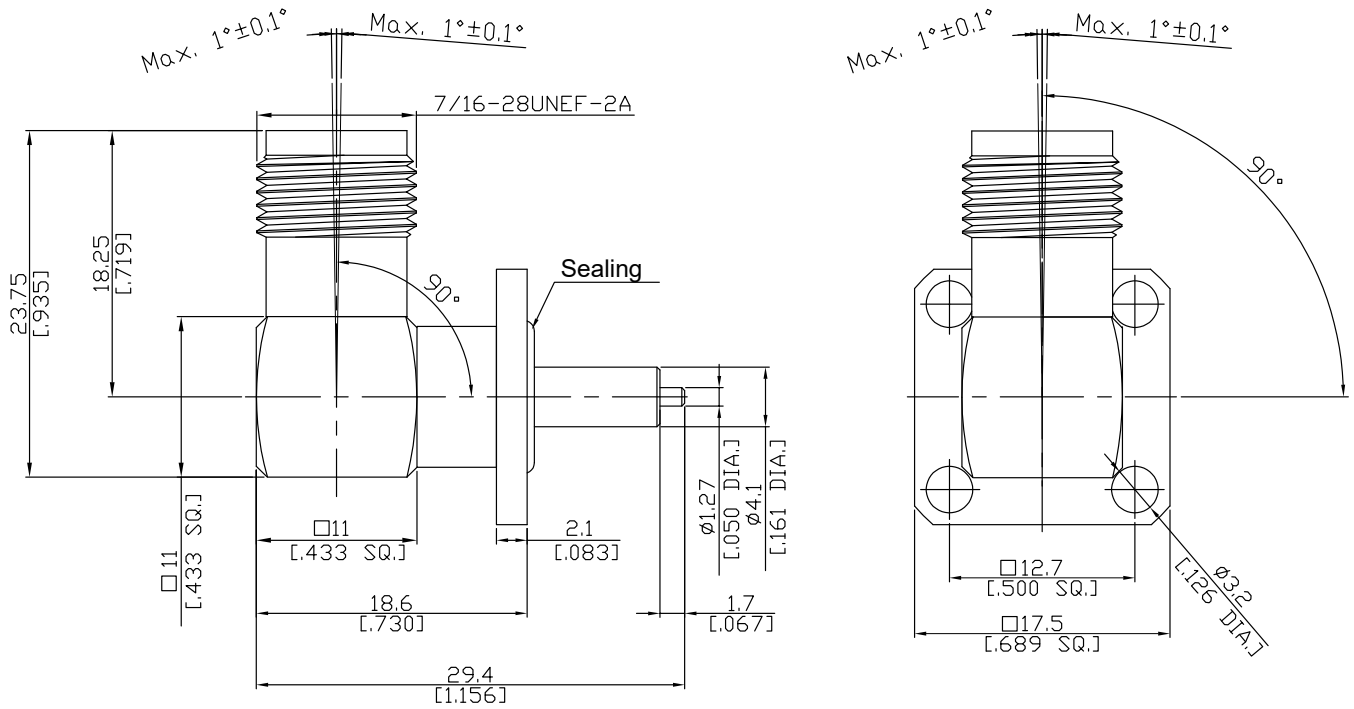


TNC Right-Angle Panel Receptacle Jack  
(Coaxial End)

TNC2GFA59-2940A/HX



All dimensions are in mm [inch]  
Tolerances according to DIN ISO 2768-mH

**Interface**

According to IEC 60169-17; MIL-C-39012; MIL-STD-348A/313

**Electrical Data**

Impedance 50 Ω  
Frequency DC to 11 GHz  
Power Handling ≤ 200W @ 1.9GHz

**Mechanical Data**

Coupling mechanisms Screw-lock  
Weight N/A

**Environmental Data**

Temperature range -65°C to +165°C  
RoHS compliant  
IP Rating IP67

**Material And Plating**

Piece Parts	Material	Plating
Centre contact	Phosphor Bronze	Gold plating(Nickel underplated)
Body	Stainless Steel	Passivated
Insulator	PTFE	
Gasket	Silicone Rubber	

**Packing**

Single or 100

**Related Document**

Mounting Dimension MD66

The facts and figures herein are carefully compiled to the best of our knowledge, but they are intended for general informational purposes only. In the effort to improve our products, we reserve the right to make changes judged to be necessary.

Rev.: 1.0

Date:  
19/11/10

Rosnol RF/Microwave Technology Co., Ltd.  
www.rosnol.com; info@rosnol.com  
Phone: +886-3-463-5095 / Fax: +886-3-463-5952  
N-CAGE Code: SFKK0 / ISO9001 certified

Page

1/1