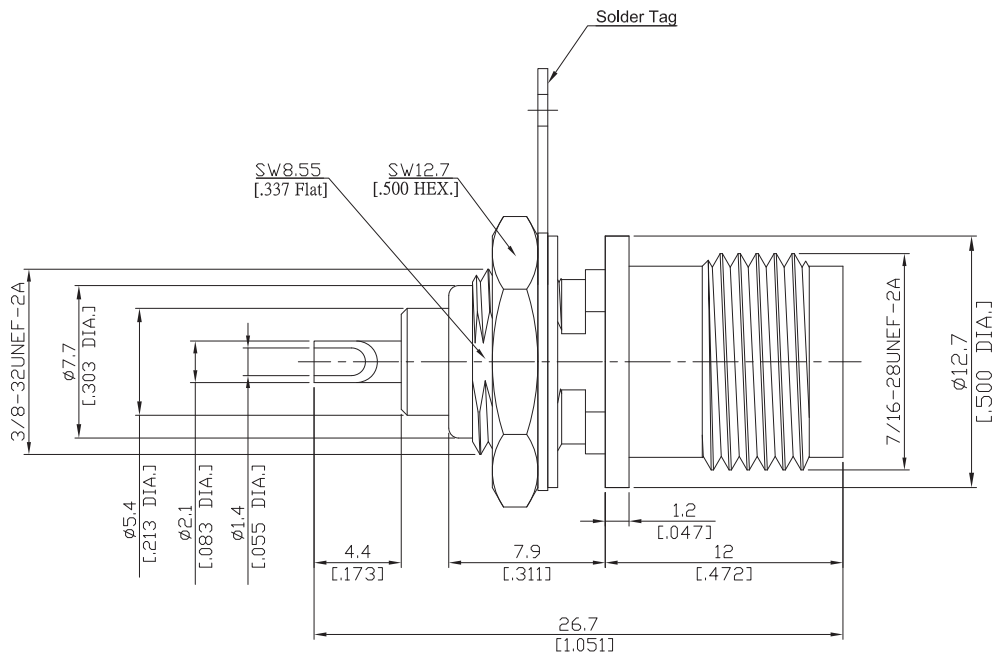


TNC Straight Bulkhead Receptacle Jack
Solder End

TNC2FB70-2670A/H4



All dimensions are in mm [inch]

Tolerances according to DIN ISO 2768-mH

Interface

According to

MIL-C-39012; MIL-STD-348A/313

Electrical Data

Impedance

75 Ω

Frequency

DC to 1 GHz

Mechanical Data

Coupling mechanisms

Screw-lock

Weight

0.0073 kg

Environmental Data

Temperature range

-65°C to +165°C

RoHS

compliant

Material And Plating

Piece Parts	Material	Plating
Centre contact	Phosphor Bronze	Gold plating(Nickel underplated)
Body	Brass	Copper-Tin-Zinc Alloy
Insulator	PTFE	
Solder tag	Brass	Copper-Tin-Zinc Alloy
Fastening nut	Brass	Copper-Tin-Zinc Alloy
Washer	Brass	Copper-Tin-Zinc Alloy

Packing

Single or 100

Related Document

Mounting Dimension

MD18