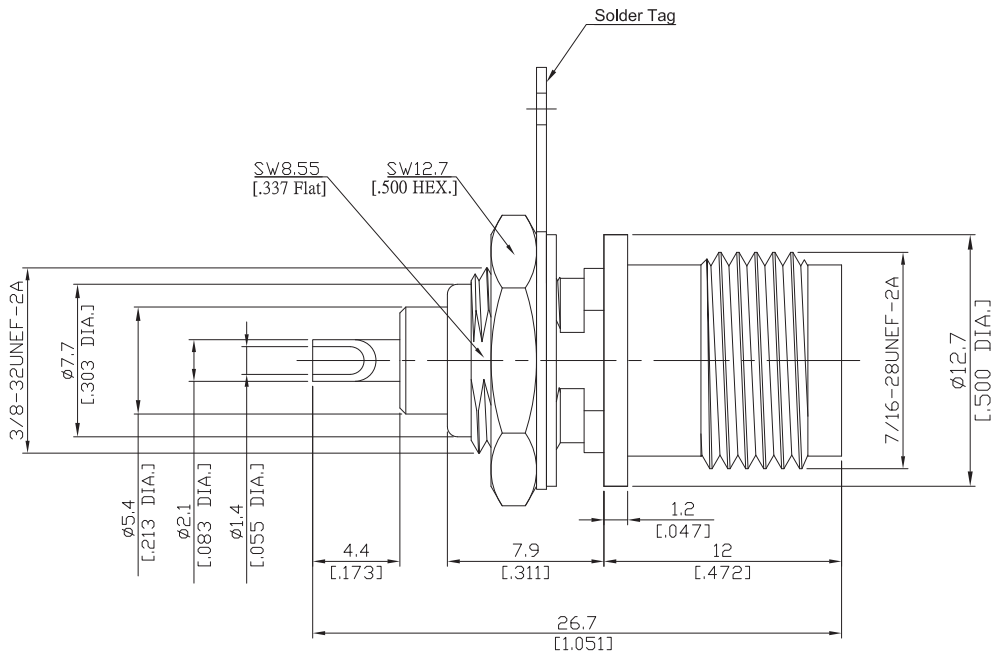


TNC Straight Bulkhead Receptacle Jack  
Solder End

TNC2FB50-2670A/HX



All dimensions are in mm [inch]

Tolerances according to DIN ISO 2768-mH

**Interface**

According to IEC 60169-17; MIL-C-39012; MIL-STD-348A/313

**Electrical Data**

Impedance 50 Ω  
Frequency DC to 11 GHz

**Mechanical Data**

Coupling mechanisms Screw-lock  
Weight 0.0079 kg

**Environmental Data**

Temperature range -65°C to +165°C  
RoHS compliant

**Material And Plating**

Piece Parts	Material	Plating
Centre contact	Phosphor Bronze	Gold plating(Nickel underplated)
Body	Stainless Steel	Passivated
Insulator	PTFE	
Solder tag	Stainless Steel	Passivated
Fastening nut	Stainless Steel	Passivated
Washer	Stainless Steel	Passivated

**Packing**

Single or 100

**Related Document**

Mounting Dimension MD18