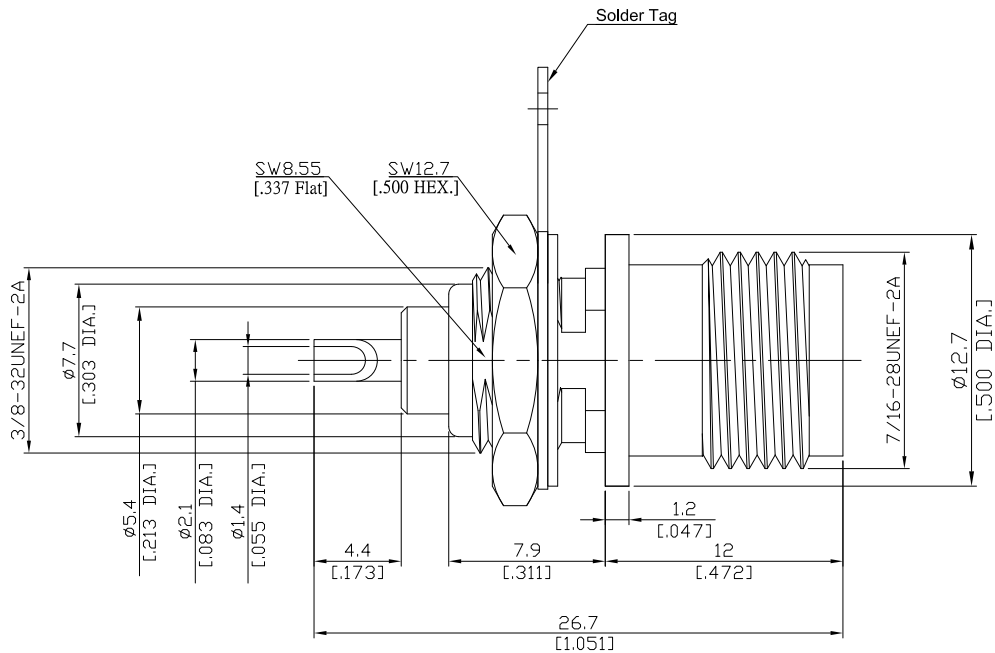


TNC Straight Bulkhead Receptacle Jack  
Solder End

TNC2FB50-2670A/H3



All dimensions are in mm [inch]  
Tolerances according to DIN ISO 2768-mH

**Interface**

According to IEC 60169-17; MIL-C-39012; MIL-STD-348A/313

**Electrical Data**

Impedance 50 Ω  
Frequency DC to 11 GHz

**Mechanical Data**

Coupling mechanisms Screw-lock  
Weight 0.0079 kg

**Environmental Data**

Temperature range -65°C to +165°C  
RoHS compliant

**Material And Plating**

Piece Parts	Material	Plating
Centre contact	Phosphor Bronze	Gold plating(Nickel underplated)
Body	Brass	Nickel
Insulator	PTFE	
Solder tag	Brass	Nickel
Fastening nut	Brass	Nickel
Washer	Brass	Nickel

**Packing**

Single or 100

**Related Document**

Mounting Dimension MD18