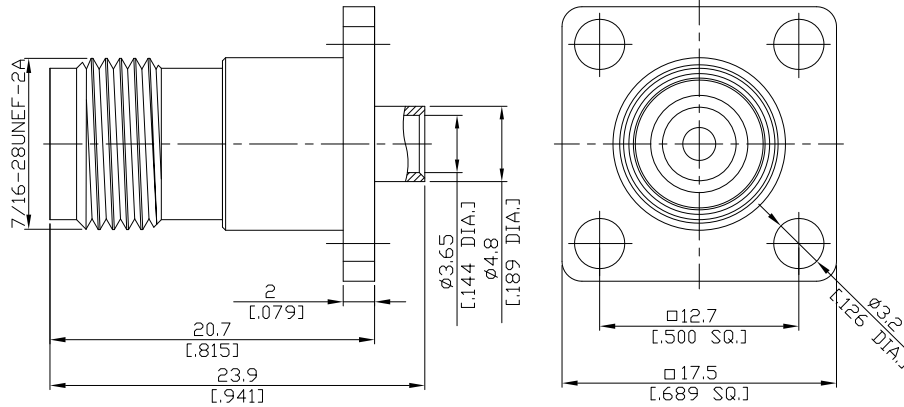


TNC Straight Panel Cable Jack

TNC2EBF50-0141A/H3



All dimensions are in mm [inch]  
Tolerances according to DIN ISO 2768-mH

**Interface**

According to IEC 60169-17; MIL-C-39012; MIL-STD-348A/313

**Electrical Data**

Impedance 50 Ω  
Frequency DC to 11 GHz

*- Limitations are possible due to the used cable type -*

**Mechanical Data**

Coupling mechanisms Screw-lock  
Centre contact Soldered or Crimped  
Cable entry Soldered

**Environmental Data**

Temperature range -65°C to +165°C  
RoHS compliant

**Material And Plating**

Connector parts	Material	Plating
Centre contact	Phosphor Bronze	Gold plating(Nickel underplated)
Body	Brass	Nickel
Insulator	PTFE	

**Suitable Cables**

RSR-141, RSF-141, RSF-141-FEP, RSF-141-PVC, RG402, Belden 1673A, Belden 1673J

**Packing**

Single or 100

**Related Document**

Mounting Dimension MD41