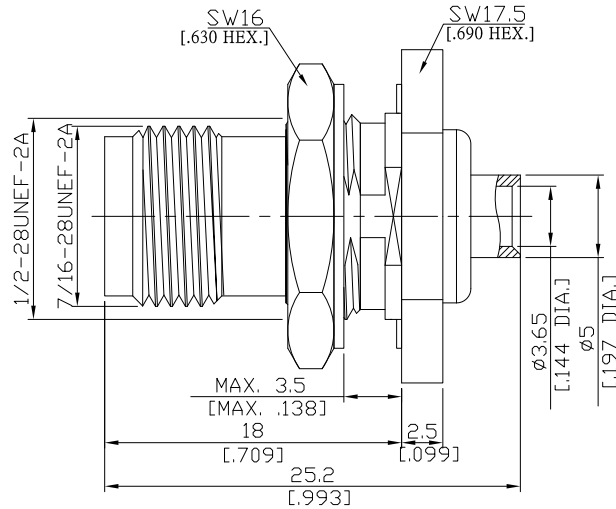


TNC Straight Bulkhead Cable Jack

TNC2EA50-0141A/H3



All dimensions are in mm [inch]

Interface

According to IEC 60169-17; MIL-C-39012; MIL-STD-348A/313

Electrical Data

Impedance 50 Ω
 Frequency DC to 11 GHz
 VSWR (Return Loss) ≤ 1.09 (≥ 27.3 dB), DC to 2 GHz
 ≤ 1.12 (≥ 24.9 dB), 2 to 4 GHz
 ≤ 1.22 (≥ 20.1 dB), 4 to 6 GHz
 Insertion Loss ≥ 0.05 dB, DC to 6 GHz

- Limitations are possible due to the used cable type -

Mechanical Data

Coupling mechanisms Screw-lock
 Centre contact Soldered or Crimped
 Cable entry Soldered

Environmental Data

Temperature range -65°C to +165°C
 RoHS compliant

Material And Plating

| Connector parts | Material | Plating |
|-----------------|-----------------|----------------------------------|
| Centre contact | Phosphor Bronze | Gold plating(Nickel underplated) |
| Body | Brass | Nickel |
| Insulator | PTFE | |
| Gasket | Silicone Rubber | |
| Fastening nut | Brass | Copper-Tin-Zinc Alloy |
| Washer | Brass | Copper-Tin-Zinc Alloy |

Suitable Cables

RSR-141, RSF-141, RSF-141-FEP, RSF-141-PVC, RG402, Belden 1673A, Belden 1673J

Packing

Single or 100

Related Document

Mounting Dimension MD7