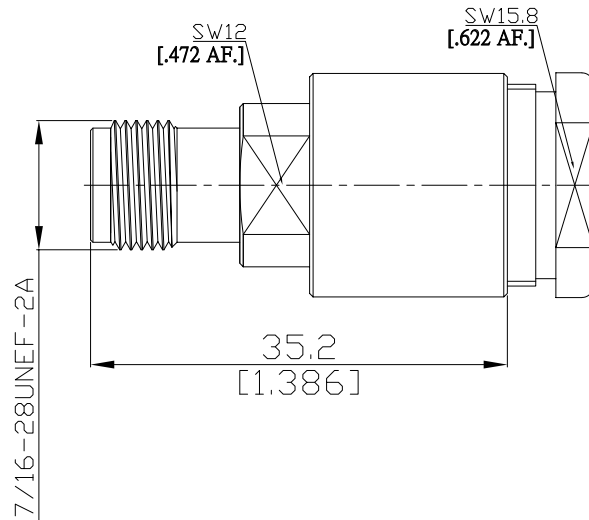


TNC(Female) Straight Cable Jack

TNC2D50-R400A/H4



All dimensions are in mm [inch]

Tolerances according to DIN ISO 2768-mH

Interface

According to IEC 60169-17; MIL-STD-348A/313

Electrical Data

Impedance 50 Ω
 Frequency DC to 6 GHz
 VSWR (Return Loss) ≤1.30 (≥ 17.69 dB)

- Limitations are possible due to the used cable type and manufacturing process -

Mechanical Data

Coupling mechanisms Screw-lock
 Centre contact Soldered
 Cable entry Clamped

Environmental Data

Temperature range -65°C to +165°C
 RoHS compliant

Material And Plating

Connector parts	Material	Plating
Centre contact	Phosphor Bronze	Gold plating (Nickel underplating)
Body	Brass	Copper-Tin-Zinc Alloy
Insulator	PTFE	
Gasket	Silicone Rubber	
Clamp nut	Brass	Copper-Tin-Zinc Alloy

Suitable Cables

LMR 400, RNL-400, RG-213, RG-214

Packing

Single or 100