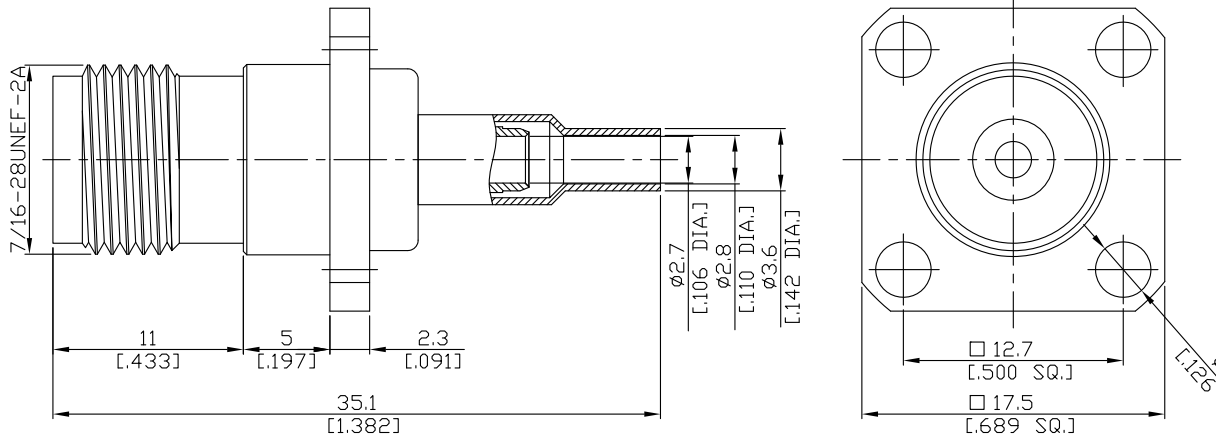




TNC Straight 4 Hole Panel Flange
Cable Jack

TNC2CBF50-G122A/H4



All dimensions are in mm [inch]

Interface

According to IEC 60169-17; MIL-C-39012; MIL-STD-348A/313

Electrical Data

Impedance 50 Ω
Frequency DC to 11 GHz

- Limitations are possible due to the used cable type -

Mechanical Data

Coupling mechanisms Screw-lock
Centre contact Soldered or Crimped
Cable entry Crimped

Environmental Data

Temperature range -65°C to +165°C
RoHS compliant

Material And Plating

Connector parts	Material	Plating
Centre contact	Phosphor Bronze	Gold plating(Nickel underplated)
Body	Brass	Copper-Tin-Zinc Alloy
Insulator	PTFE	
Crimp ferrules	Brass	Copper-Tin-Zinc Alloy

Suitable Cables

RG-122, RG-180, RG-195, Belden 1855A, Belden 1865A, Belden 8218

Packing

Single or 100

Related Document

Mounting Dimension MD9