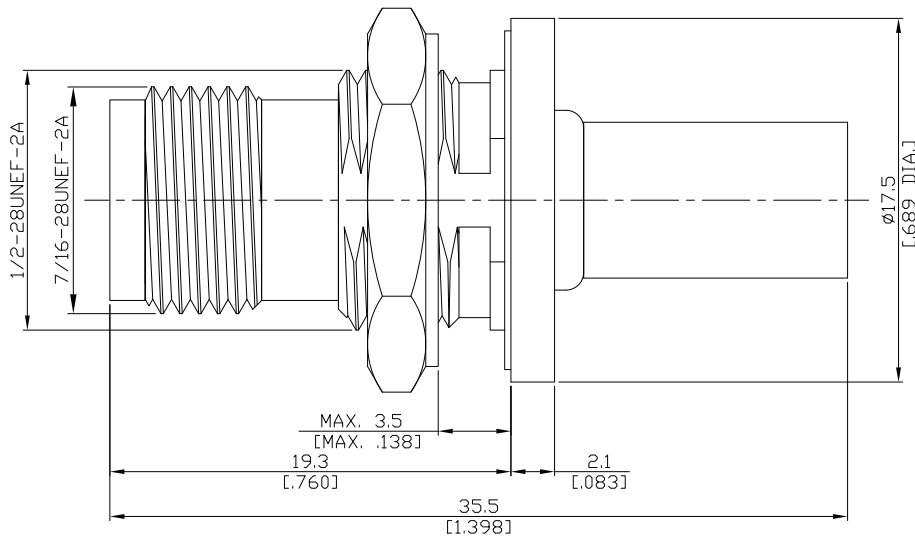


TNC Straight Bulkhead Cable Jack

TNC2CA50-R240A/HX



All dimensions are in mm [inch]

Interface

According to IEC 60169-17; MIL-C-39012; MIL-STD-348A/313

Electrical Data

Impedance 50 Ω
 Frequency DC to 11 GHz
 Frequency range
 Return loss

- Limitations are possible due to the used cable type -

Mechanical Data

Coupling mechanisms Screw-lock
 Centre contact Soldered or Crimped
 Cable entry Crimped

Environmental Data

Temperature range -65°C to +165°C
 RoHS compliant

Material And Plating

| Connector parts | Material | Plating |
|-----------------|-----------------|----------------------------------|
| Centre contact | Phosphor Bronze | Gold plating(Nickel underplated) |
| Body | Stainless Steel | Passivated |
| Insulator | PTFE | |
| Gasket | Silicone Rubber | |
| Crimp ferrules | Brass | Copper-Tin-Zinc Alloy |
| Fastening nut | Brass | Copper-Tin-Zinc Alloy |
| Washer | Brass | Copper-Tin-Zinc Alloy |

Suitable Cables

LMR 240, BELDEN 7808A, BELDEN 9258

Packing

Single or 100

Related Document

Mounting Dimension MD7