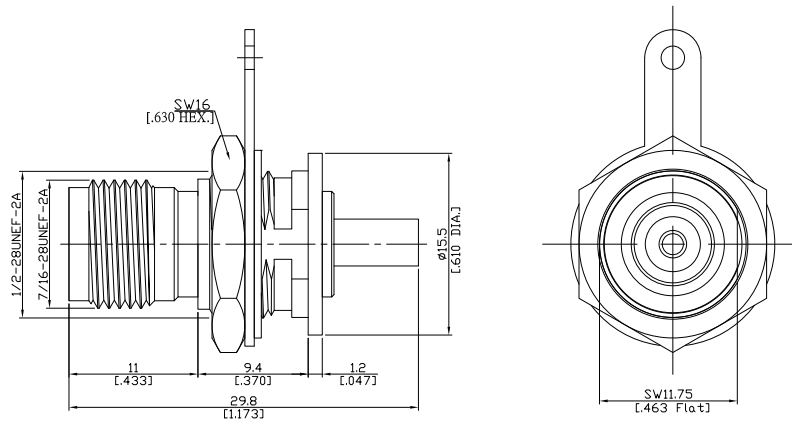


TNC Straight Bulkhead Cable Jack

TNC2CA50-G316C/H3



All dimensions are in mm [inch]  
Tolerances according to DIN ISO 2768-mH

**Interface**

According to IEC 60169-17; MIL-C-39012; MIL-STD-348A/313

**Electrical Data**

Impedance 50 Ω  
Frequency DC to 11 GHz  
VSWR (Return Loss) ≤ 1.08 (≥ 28.3 dB), DC to 1 GHz  
≤ 1.22 (≥ 20.1 dB), 1 to 2 GHz  
≤ 1.29 (≥ 17.9 dB), 2 to 11 GHz  
Insertion Loss ≤ 0.05 x √F (GHz) dB

- Limitations are possible due to the used cable type -

**Mechanical Data**

Coupling mechanisms Screw-lock  
Centre contact Soldered or Crimped  
Cable entry Crimped

**Environmental Data**

Temperature range -65°C to +165°C  
RoHS compliant

**Material And Plating**

Connector parts	Material	Plating
Centre contact	Phosphor Bronze	Gold plating(Nickel underplated)
Body	Brass	Nickel
Insulator	PTFE	
Crimp ferrules	Brass	Copper-Tin-Zinc Alloy
Fastening nut	Brass	Copper-Tin-Zinc Alloy
Washer	Brass	Copper-Tin-Zinc Alloy
Solder tag	Brass	Copper-Tin-Zinc Alloy

**Suitable Cables**

RG-174, RG-188A, RG-316, Belden 7805

**Packing**

Single or 100

**Related Document**

Mounting Dimension MD7