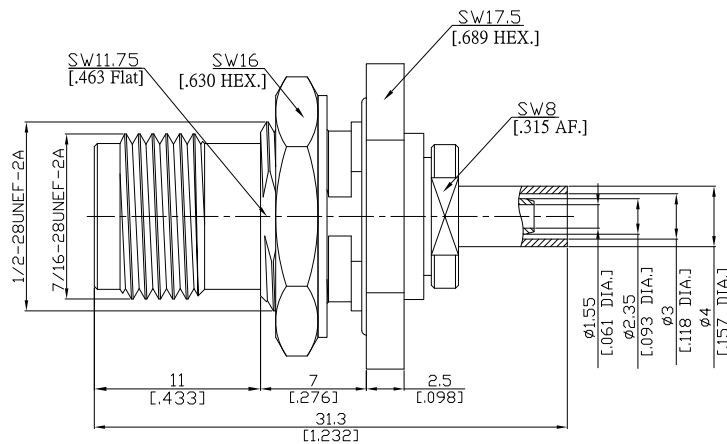


TNC Straight Bulkhead Cable Jack

TNC2CA50-G316B/HX



All dimensions are in mm [inch]

Tolerances according to DIN ISO 2768-mH

Interface

According to

IEC 60169-17; MIL-C-39012; MIL-STD-348A/313

Electrical Data

Impedance

50 Ω

Frequency

DC to 11 GHz

VSWR (Return Loss)

≤ 1.08 (≥ 28.3 dB), DC to 1 GHz

≤ 1.22 (≥ 20.1 dB), 1 to 2 GHz

≤ 1.29 (≥ 17.9 dB), 2 to 11 GHz

Insertion Loss

≤ 0.05 x √F [GHz] dB

- Limitations are possible due to the used cable type -

Mechanical Data

Coupling mechanisms

Screw-lock

Centre contact

Soldered or Crimped

Cable entry

Crimped

Environmental Data

Temperature range

-65°C to +165°C

RoHS

compliant

Material And Plating

Connector parts	Material	Plating
Centre contact	Phosphor Bronze	Gold plating(Nickel underplated)
Body	Stainless steel	Passivated
Insulator	PTFE	
Gasket	Silicone Rubber	
Crimp ferrules	Brass	Copper-Tin-Zinc Alloy
Fastening nut	Brass	Copper-Tin-Zinc Alloy
Washer	Brass	Copper-Tin-Zinc Alloy

Suitable Cables

RG-174, RG-188A, RG-316, Belden 7805

Packing

Single or 100

Related Document

Mounting Dimension

MD7