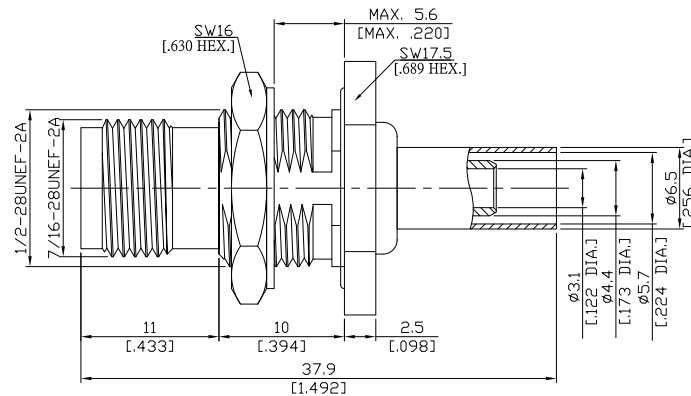


TNC Straight Bulkhead Cable Jack

TNC2CA50-G142B/H3



All dimensions are in mm [inch]

Tolerances according to DIN ISO 2768-mH

Interface

According to IEC 60169-17; MIL-C-39012; MIL-STD-348A/313

Electrical Data

Impedance 50 Ω

Frequency DC to 11 GHz

VSWR (Return Loss) ≤ 1.15 (≥ 23.1 dB), DC to 2.5 GHz

Insertion Loss ≤ 0.05 x √F (GHz) dB

- Limitations are possible due to the used cable type -

Mechanical Data

Coupling mechanisms Screw-lock

Centre contact Soldered or Crimped

Cable entry Crimped

Environmental Data

Temperature range -65°C to +165°C

RoHS compliant

Material And Plating

Connector parts	Material	Plating
Centre contact	Phosphor Bronze	Gold plating(Nickel underplated)
Body	Brass	Nickel
Insulator	PTFE	
Gasket	Silicone Rubber	
Crimp ferrules	Brass	Nickel
Fastening nut	Brass	Nickel
Washer	Brass	Nickel

Suitable Cables

RG 55, RG 142, RG 223, RG 400

Packing

Single or 100

Related Document

Mounting Dimension MD7