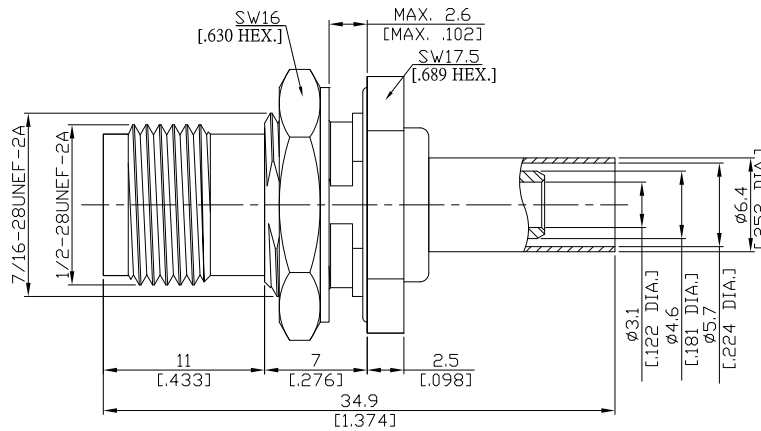


TNC Straight Bulkhead Cable Jack

TNC2CA50-G142A/HX



All dimensions are in mm [inch]

Tolerances according to DIN ISO 2768-mH

Interface

According to IEC 60169-17; MIL-C-39012; MIL-STD-348A/313

Electrical Data

Impedance 50 Ω
 Frequency DC to 11 GHz
 VSWR (Return Loss) ≤ 1.07 (≥ 29.4 dB), DC to 2.5 GHz
 ≤ 1.22 (≥ 20.1 dB), 2.5 to 4 GHz
 ≤ 1.29 (≥ 17.9 dB), 4 to 6 GHz
 Insertion Loss ≤ 0.05 x √F (GHz) dB, DC to 6 GHz

- Limitations are possible due to the used cable type -

Mechanical Data

Coupling mechanisms Screw-lock
 Centre contact Soldered or Crimped
 Cable entry Crimped

Environmental Data

Temperature range -65°C to +165°C
 RoHS compliant

Material And Plating

Connector parts	Material	Plating
Centre contact	Phosphor Bronze	Gold plating(Nickel underplated)
Body	Stainless steel	Passivated
Insulator	PTFE	
Gasket	Silicone Rubber	
Crimp ferrules	Brass	Copper-Tin-Zinc Alloy
Fastening nut	Brass	Copper-Tin-Zinc Alloy
Washer	Brass	Copper-Tin-Zinc Alloy

Suitable Cables

RG 55, RG 142, RG 223, RG 400

Packing

Single or 100

Related Document

Mounting Dimension MD7

The facts and figures herein are carefully compiled to the best of our knowledge, but they are intended for general informational purposes only. In the effort to improve our products, we reserve the right to make changes judged to be necessary.

Rev.: Rosnol RF/Microwave Technology
 www.rosnol.com ; info@rosnol.com
 Date: 19/11/10
 Phone:+886-3-463-5095
 Fax:+886-3-463-5952