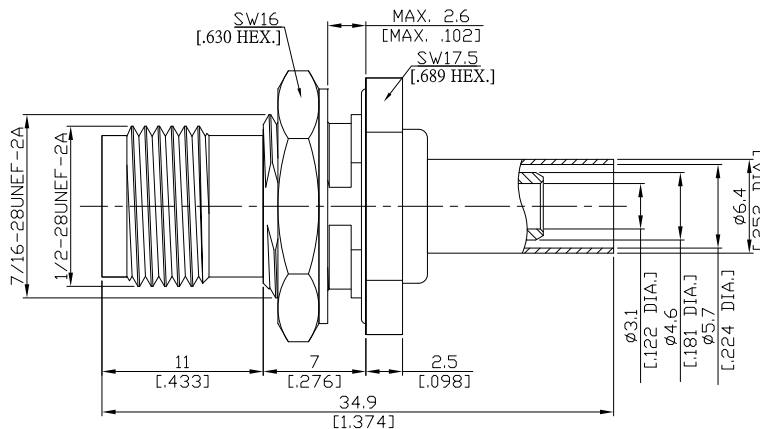




TNC Straight Bulkhead Cable Jack

TNC2CA50-G142A/H4



All dimensions are in mm [inch]

Tolerances according to DIN ISO 2768-mH

**Interface**

According to IEC 60169-17; MIL-C-39012; MIL-STD-348A/313

**Electrical Data**

Impedance 50 Ω  
 Frequency DC to 11 GHz  
 VSWR (Return Loss) ≤ 1.07 (≥ 29.4 dB), DC to 2.5 GHz  
 ≤ 1.22 (≥ 20.1 dB), 2.5 to 4 GHz  
 ≤ 1.29 (≥ 17.9 dB), 4 to 6 GHz  
 Insertion Loss ≤ 0.05 x √F (GHz) dB, DC to 6 GHz

- Limitations are possible due to the used cable type -

**Mechanical Data**

Coupling mechanisms Screw-lock  
 Centre contact Soldered or Crimped  
 Cable entry Crimped

**Environmental Data**

Temperature range -65°C to +165°C  
 RoHS compliant

**Material And Plating**

Connector parts	Material	Plating
Centre contact	Phosphor Bronze	Gold plating(Nickel underplated)
Body	Brass	Copper-Tin-Zinc Alloy
Insulator	PTFE	
Gasket	Silicone Rubber	
Crimp ferrules	Brass	Copper-Tin-Zinc Alloy
Fastening nut	Brass	Copper-Tin-Zinc Alloy
Washer	Brass	Copper-Tin-Zinc Alloy

**Suitable Cables**

RG 55, RG 142, RG 223, RG 400

**Packing**

Single or 100

**Related Document**

Mounting Dimension MD7

The facts and figures herein are carefully compiled to the best of our knowledge, but they are intended for general informational purposes only. In the effort to improve our products, we reserve the right to make changes judged to be necessary.

Rev.: Rosnol RF/Microwave Technology  
 www.rosnol.com ; info@rosnol.com  
 Date: 19/11/10  
 Phone:+886-3-463-5095  
 Fax:+886-3-463-5952