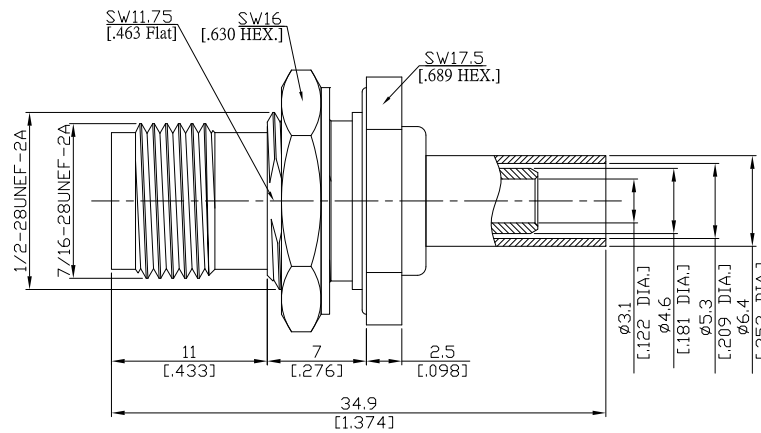




TNC Straight Bulkhead Cable Jack

TNC2CA50-G058A/H4



All dimensions are in mm [inch]

Tolerances according to DIN ISO 2768-mH

**Interface**

According to IEC 60169-17; MIL-C-39012; MIL-STD-348A/313

**Electrical Data**

Impedance 50 Ω  
 Frequency DC to 11 GHz  
 VSWR (Return Loss) ≤ 1.07 (≥ 29.4 dB), DC to 2.5 GHz  
 ≤ 1.22 (≥ 20.1 dB), 2.5 to 4 GHz  
 ≤ 1.29 (≥ 17.9 dB), 4 to 6 GHz  
 Insertion Loss ≤ 0.05 x √F [GHz] dB, DC to 6 GHz

- Limitations are possible due to the used cable type -

**Mechanical Data**

Coupling mechanisms Screw-lock  
 Centre contact Soldered or Crimped  
 Cable entry Crimped

**Environmental Data**

Temperature range -65°C to +165°C  
 RoHS compliant

**Material And Plating**

Connector parts	Material	Plating
Centre contact	Phosphor Bronze	Gold plating(Nickel underplated)
Body	Brass	Copper-Tin-Zinc Alloy
Insulator	PTFE	
Gasket	Silicone Rubber	
Crimp ferrules	Brass	Copper-Tin-Zinc Alloy
Fastening nut	Brass	Copper-Tin-Zinc Alloy
Washer	Brass	Copper-Tin-Zinc Alloy

**Suitable Cables**

RG 58, RG 58A, RG 58C, RG 141, RG 303, BELDEN 7806A, BELDEN 9907, LMR 195

**Packing**

Single, 5-pack, or 100

**Related Document**

Mounting Dimension MD7