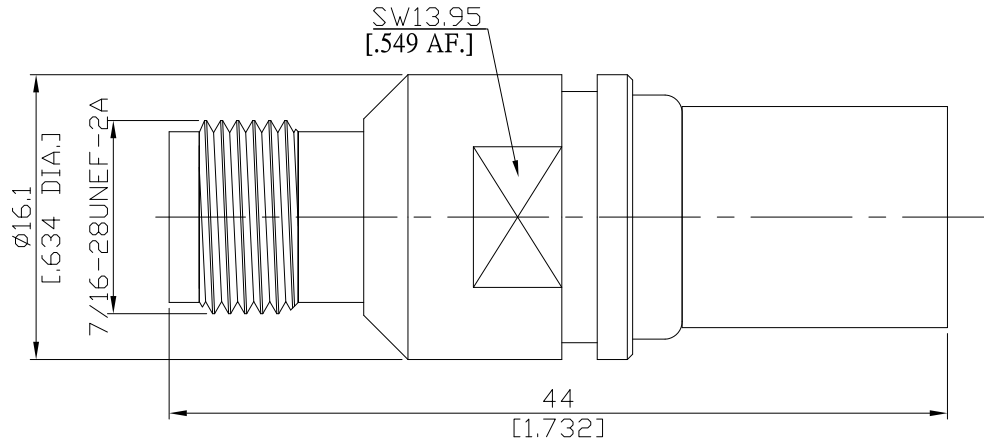


TNC Straight Cable Jack

TNC2C50-R400A/H3



All dimensions are in mm [inch]

Tolerances according to DIN ISO 2768-mH

Interface

According to IEC 60169-17; MIL-C-39012; MIL-STD-348A/313

Electrical Data

Impedance 50 Ω
 Frequency DC to 11 GHz
 Frequency range
 Return loss

- Limitations are possible due to the used cable type -

Mechanical Data

Coupling mechanisms Screw-lock
 Centre contact Soldered or Crimped
 Cable entry Crimped

Environmental Data

Temperature range -65°C to +165°C
 RoHS compliant

Material And Plating

Connector parts	Material	Plating
Centre contact	Phosphor Bronze	Gold plating(Nickel underplated)
Body	Brass	Nickel
Insulator	PTFE	
Crimp ferrules	Brass	Copper-Tin-Zinc Alloy

Suitable Cables

LMR 400, Belden 7810A, Belden 8214, Belden 9913

Packing

Single or 100