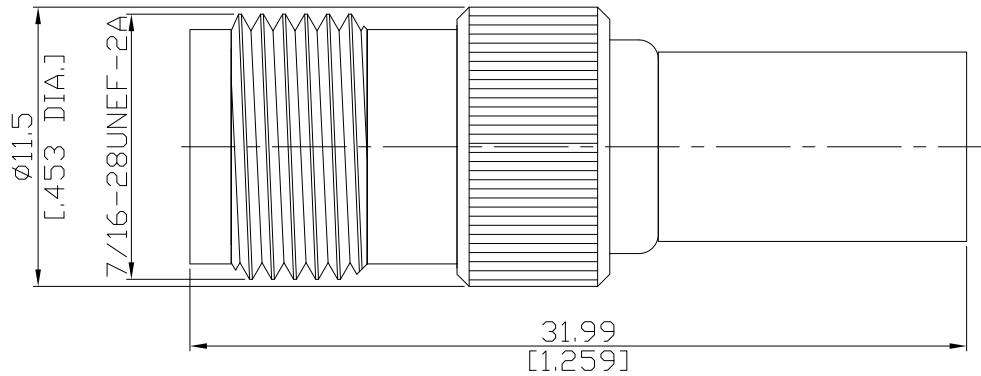


TNC Straight Cable Jack
TNC2C50-R240A/HX


All dimensions are in mm [inch]

Interface

According to MIL-C-39012; MIL-STD-348A/313

Electrical Data

Impedance 50 Ω
 Frequency DC to 11 GHz
 Frequency range
 Return loss

- Limitations are possible due to the used cable type -

Mechanical Data

Coupling mechanisms Screw-lock
 Centre contact Crimped
 Cable entry Crimped

Environmental Data

Temperature range -65°C to $+165^{\circ}\text{C}$
 RoHS compliant

Material And Plating

Connector parts	Material	Plating
Centre contact	Phosphor Bronze	Gold plating(Nickel underplated)
Body	Stainless steel	Passivated
Insulator	PTFE	
Crimp ferrules	Brass	Copper-Tin-Zinc Alloy

Suitable Cables

LMR 240, BELDEN 7808A, BELDEN 9258

Packing

Single or 100