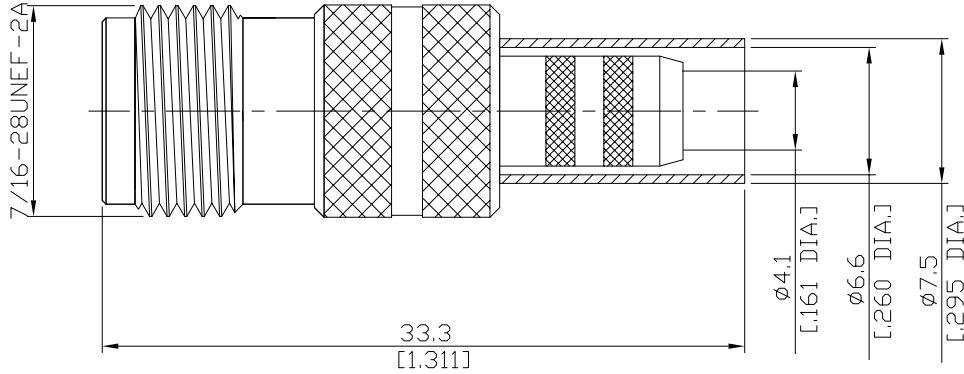


TNC Straight Cable Jack

TNC2C50-R240A/H3



All dimensions are in mm [inch]

Tolerances according to DIN ISO 2768-mH

Interface

According to IEC 60169-17; MIL-C-39012; MIL-STD-348A/313

Electrical Data

Impedance 50 Ω
Frequency DC to 6 GHz

- Limitations are possible due to the used cable type and manufacturing process -

Mechanical Data

Coupling mechanisms Screw-lock
Centre contact Soldered or Crimped
Cable entry Crimped

Environmental Data

Temperature range -65°C to +165°C
RoHS compliant

Material And Plating

Connector parts	Material	Plating
Centre contact	Phosphor Bronze	Gold plating(Nickel underplated)
Body	Brass	Nickel
Insulator	PTFE	
Crimp ferrules	Brass	Nickel

Suitable Cables

LMR 240, BELDEN H155, RNL-240

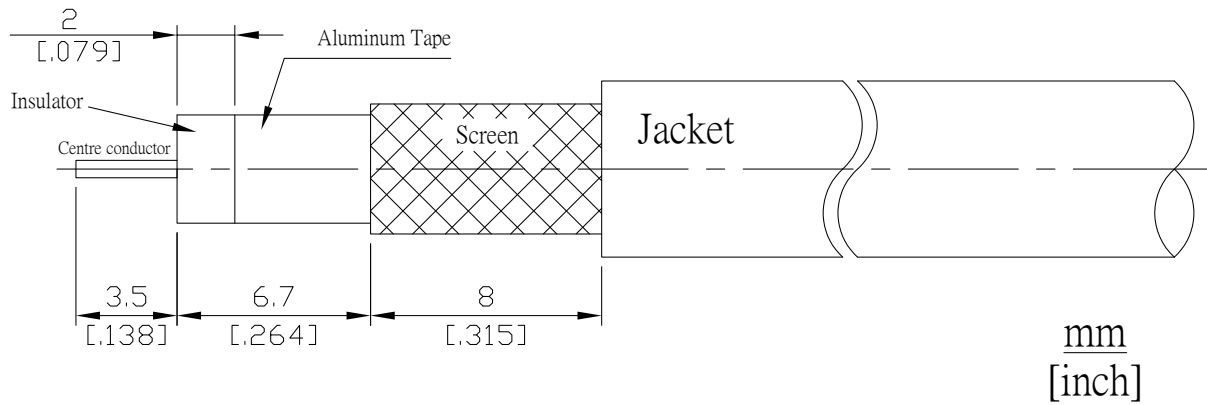
Packing

Single or 100

TNC Straight Cable Jack

TNC2C50-R240A/H3

Recommended Cable Stripping Dimensions



Crimp Dimensions [HEX]

Crimp ferrule	6.48mm [.255 inch]
Centre contact	1.73mm [.068 inch]