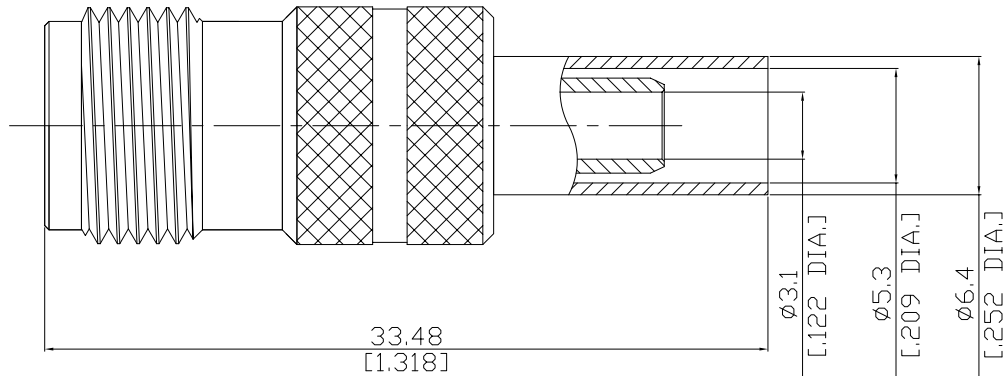


TNC Straight Cable Jack

TNC2C50-G058A/HX



All dimensions are in mm [inch]

Tolerances according to DIN ISO 2768-mH

**Interface**

According to IEC 60169-17; MIL-C-39012; MIL-STD-348A/313

**Electrical Data**

Impedance 50  $\Omega$   
Frequency DC to 6 GHz

- Limitations are possible due to the used cable type and manufacturing process -

**Mechanical Data**

Coupling mechanisms Screw-lock  
Centre contact Soldered or Crimped  
Cable entry Crimped

**Environmental Data**

Temperature range -65°C to +165°C  
RoHS compliant

**Material And Plating**

Connector parts	Material	Plating
Centre contact	Phosphor Bronze	Gold plating(Nickel underplated)
Body	Stainless Steel	Passivated
Insulator	PTFE	
Crimp ferrules	Brass	Copper-Tin-Zinc Alloy

**Suitable Cables**

RG 58, RG 58A, RG 58C, RG 141, RG 303, BELDEN 7806A, BELDEN 9907, LMR 195

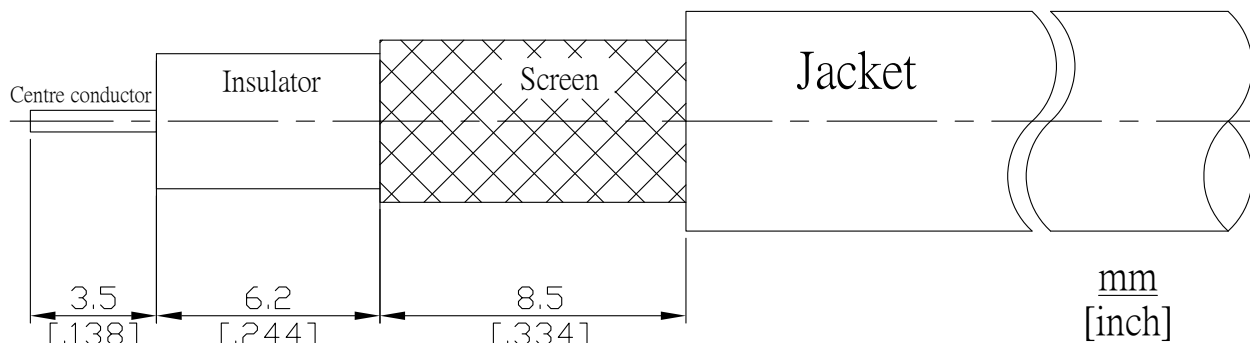
**Packing**

Single, 5-pack, or 100

TNC Straight Cable Jack

TNC2C50-G058A/HX

**Recommended Cable Stripping Dimensions**



**Crimp Dimensions [HEX]**

Crimp ferrule	5.41 mm [.213 inch]
Centre contact	1.73 mm [.068 inch]