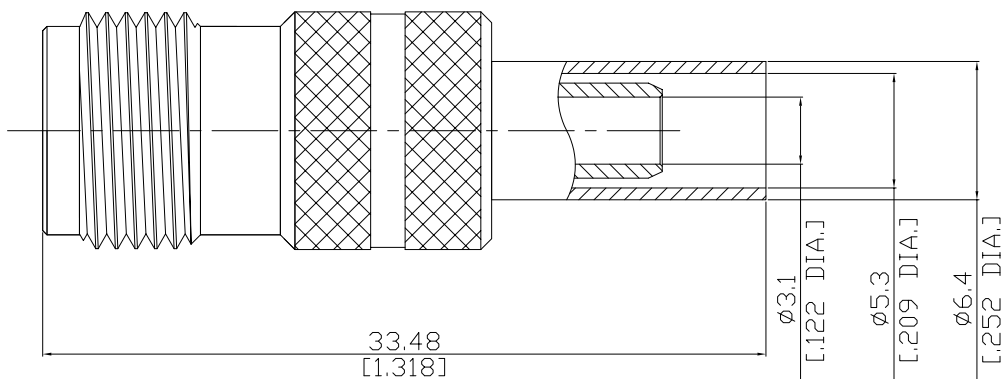


TNC Straight Cable Jack

TNC2C50-G058A/H4



All dimensions are in mm [inch]

Tolerances according to DIN ISO 2768-mH

**Interface**

According to IEC 60169-17; MIL-C-39012; MIL-STD-348A/313

**Electrical Data**

Impedance 50  $\Omega$   
Frequency DC to 6 GHz

- Limitations are possible due to the used cable type and manufacturing process -

**Mechanical Data**

Coupling mechanisms Screw-lock  
Centre contact Soldered or Crimped  
Cable entry Crimped

**Environmental Data**

Temperature range -65°C to +165°C  
RoHS compliant

**Material And Plating**

| Connector parts | Material        | Plating                          |
|-----------------|-----------------|----------------------------------|
| Centre contact  | Phosphor Bronze | Gold plating(Nickel underplated) |
| Body            | Brass           | Copper-Tin-Zinc Alloy            |
| Insulator       | PTFE            |                                  |
| Crimp ferrules  | Brass           | Copper-Tin-Zinc Alloy            |

**Suitable Cables**

RG 58, RG 58A, RG 58C, RG 141, RG 303, BELDEN 7806A, BELDEN 9907, LMR 195

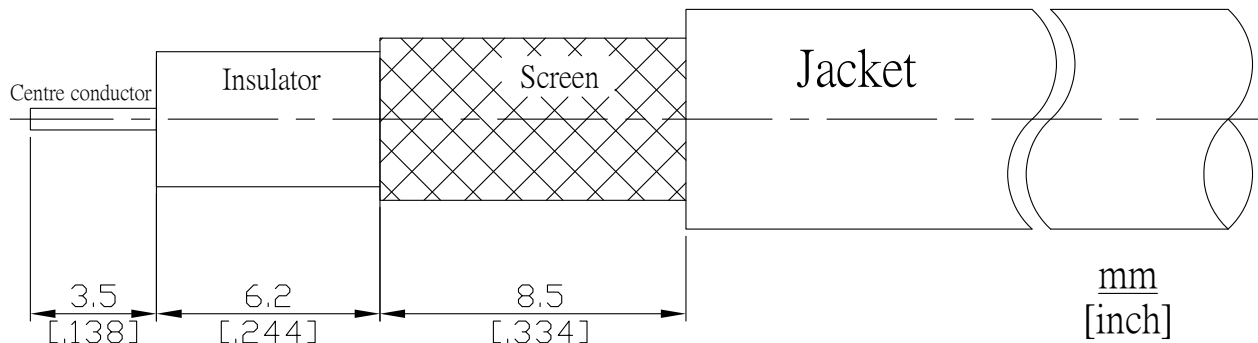
**Packing**

Single, 5-pack, or 100

TNC Straight Cable Jack

TNC2C50-G058A/H4

**Recommended Cable Stripping Dimensions**



**Crimp Dimensions [HEX]**

|                |                     |
|----------------|---------------------|
| Crimp ferrule  | 5.41 mm [.213 inch] |
| Centre contact | 1.73 mm [.068 inch] |