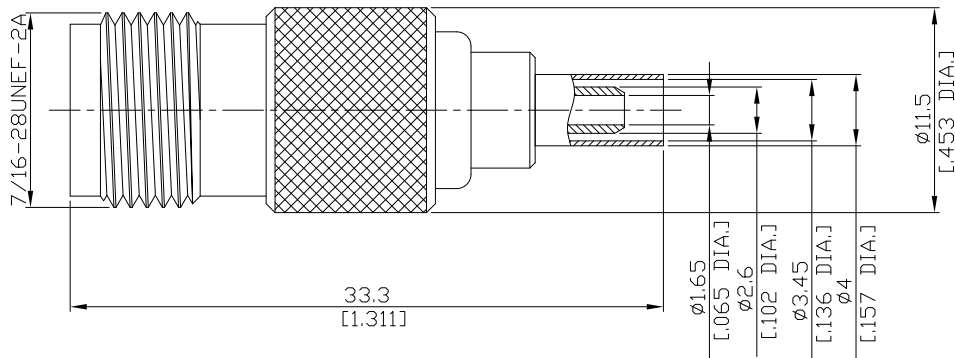


TNC Straight Cable Jack

TNC2C50-D316A/H3



All dimensions are in mm [inch]

Tolerances according to DIN ISO 2768-mH

**Interface**

According to

IEC 60169-17, MIL-C-39012; MIL-STD-348A/313

**Electrical Data**

Impedance

50 Ω

Frequency

DC to 11 GHz

VSWR (Return Loss)

≤ 1.22 (≥ 20.1 dB)

Insertion Loss

≤ 0.05 dB

- Limitations are possible due to the used cable type -

**Mechanical Data**

Coupling mechanisms

Screw-lock

Centre contact

Crimped

Cable entry

Crimped

**Environmental Data**

Temperature range

-65°C to +165°C

RoHS

compliant

**Material And Plating**

Connector parts	Material	Plating
Centre contact	Phosphor Bronze	Gold plating(Nickel underplated)
Body	Brass	Nickel
Insulator	PTFE	
Crimp ferrules	Brass	Copper-Tin-Zinc Alloy

**Suitable Cables**

RG 188, RG 316-d

**Packing**

Single or 100