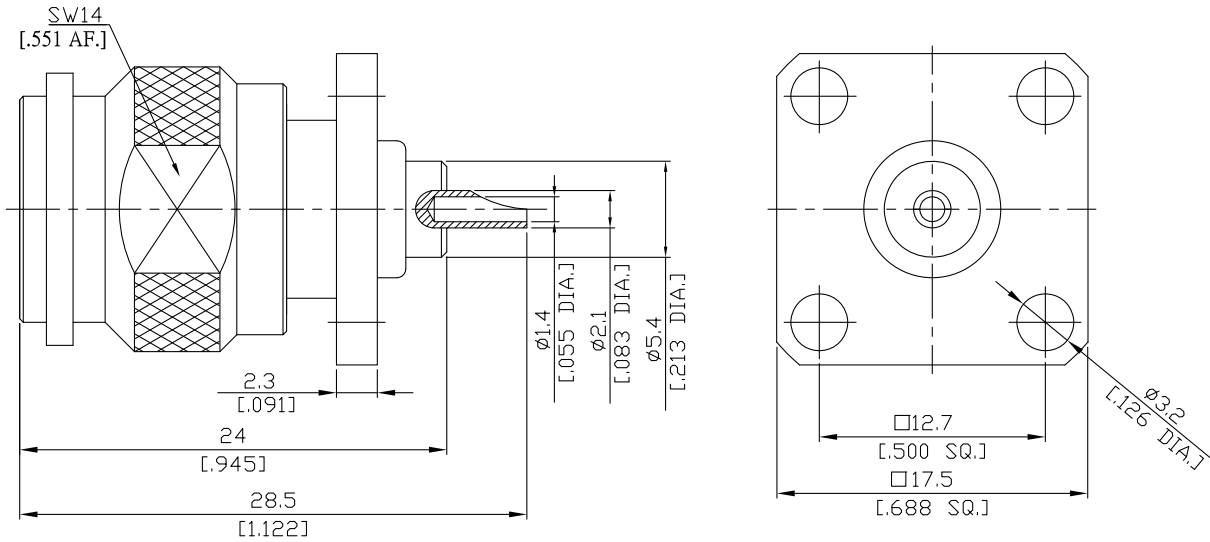


TNC Straight Panel Receptacle Plug (Solder End)

TNC1GFB50-2850A/144



All dimensions are in mm [inch]

Tolerances according to DIN ISO 2768-mH

Interface

According to

MIL-C-39012; MIL-STD-348A/313

Electrical Data

Impedance

50 Ω

Frequency

DC to 11 GHz

Mechanical Data

Coupling mechanisms

Screw-lock

Weight

0.0174 kg

Environmental Data

Temperature range

-65°C to +165°C

RoHS

compliant

Material And Plating

Piece Parts	Material	Plating
Centre contact	Brass	Gold plating(Nickel underplated)
Body	Brass	Copper-Tin-Zinc Alloy
Insulator	PTFE	
Gasket	Silicone Rubber	
Coupling nut	Brass	Copper-Tin-Zinc Alloy

Packing

Single or 100

Related Document

Mounting Dimension

MD39