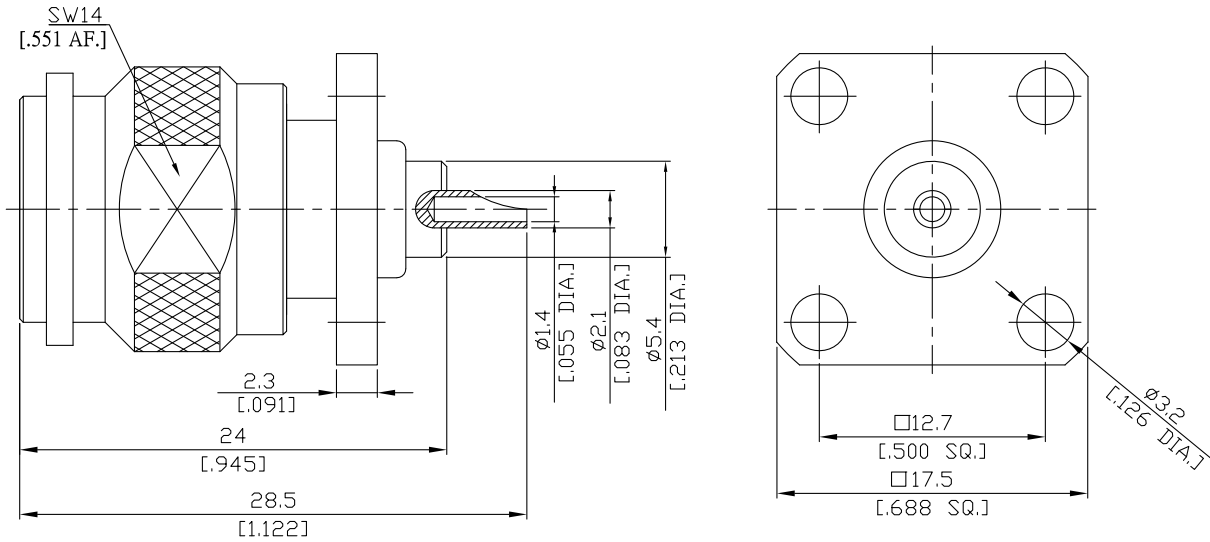


TNC Straight Panel Receptacle Plug (Solder End)

TNC1GFB50-2850A/133



All dimensions are in mm [inch]

Tolerances according to DIN ISO 2768-mH

Interface

According to

MIL-C-39012;MIL-STD-348A/313

Electrical Data

Impedance

50 Ω

Frequency

DC to 11 GHz

Mechanical Data

Coupling mechanisms

Screw-lock

Weight

0.0174 kg

Environmental Data

Temperature range

-65°C to +165°C

RoHS

compliant

Material And Plating

Piece Parts	Material	Plating
Centre contact	Brass	Gold plating(Nickel underplated)
Body	Brass	Nickel
Insulator	PTFE	
Gasket	Silicone Rubber	
Coupling nut	Brass	Nickel

Packing

Single or 100

Related Document

Mounting Dimension

MD39