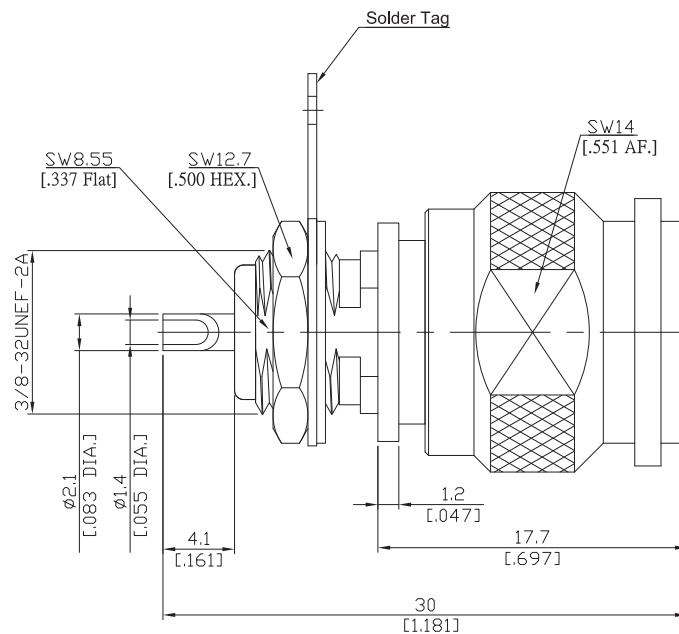


TNC Straight Bulkhead Receptacle Plug
Solder End

TNC1FB70-3000A/144



All dimensions are in mm [inch]
Tolerances according to DIN ISO 2768-mH

Interface
According to MIL-C-39012; MIL-STD-348A/313

Electrical Data
Impedance 75 Ω
Frequency DC to 1 GHz

Mechanical Data
Coupling mechanisms Screw-lock
Weight 0.0154 kg

Environmental Data
Temperature range -65°C to +165°C
RoHS compliant

Material And Plating

Piece Parts	Material	Plating
Centre contact	Brass	Gold plating(Nickel underplated)
Body	Brass	Copper-Tin-Zinc Alloy
Insulator	PTFE	
Gasket	Silicone Rubber	
Coupling nut	Brass	Copper-Tin-Zinc Alloy
Solder tag	Brass	Copper-Tin-Zinc Alloy
Fastening nut	Brass	Copper-Tin-Zinc Alloy
Washer	Brass	Copper-Tin-Zinc Alloy

Packing
Single or 100

Related Document
Mounting Dimension MD18