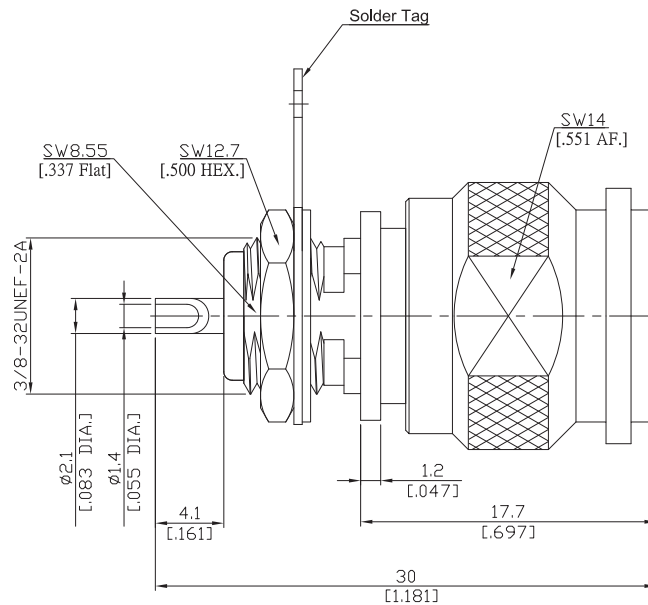


TNC Straight Bulkhead Receptacle Plug
Solder End

TNC1FB50-3000A/1XX



All dimensions are in mm [inch]
Tolerances according to DIN ISO 2768-mH

Interface

According to IEC 60169-17; MIL-C-39012; MIL-STD-348A/313

Electrical Data

Impedance 50 Ω
Frequency DC to 11 GHz

Mechanical Data

Coupling mechanisms Screw-lock
Weight 0.0154 kg

Environmental Data

Temperature range -65°C to +165°C
RoHS compliant

Material And Plating

Piece Parts	Material	Plating
Centre contact	Brass	Gold plating(Nickel underplated)
Body	Stainless Steel	Passivated
Insulator	PTFE	
Gasket	Silicone Rubber	
Coupling nut	Stainless Steel	Passivated
Solder tag	Stainless Steel	Passivated
Fastening nut	Stainless Steel	Passivated
Washer	Stainless Steel	Passivated

Packing

Single or 100

Related Document

Mounting Dimension MD18