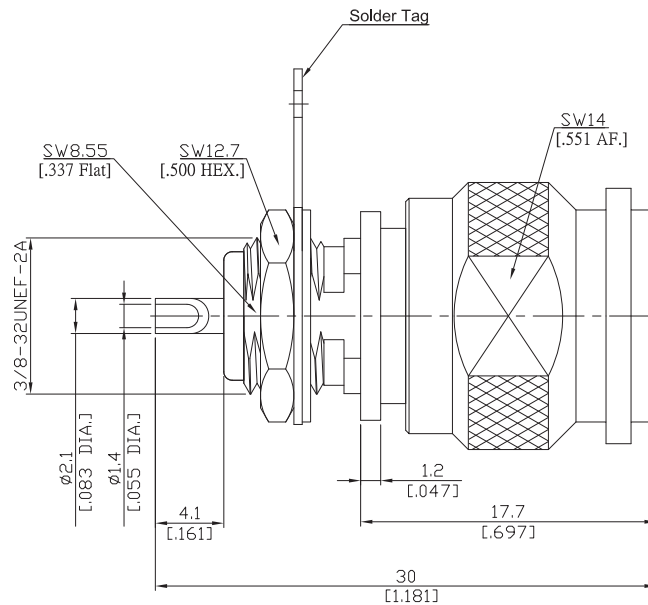


TNC Straight Bulkhead Receptacle Plug  
Solder End

TNC1FB50-3000A/133



All dimensions are in mm [inch]  
Tolerances according to DIN ISO 2768-mH

**Interface**

According to IEC 60169-17MIL-C-39012;MIL-STD-348A/313

**Electrical Data**

Impedance 50 Ω  
Frequency DC to 11 GHz

**Mechanical Data**

Coupling mechanisms Screw-lock  
Weight 0.0154 kg

**Environmental Data**

Temperature range -65°C to +165°C  
RoHS compliant

**Material And Plating**

Piece Parts	Material	Plating
Centre contact	Brass	Gold plating(Nickel underplated)
Body	Brass	Nickel
Insulator	PTFE	
Gasket	Silicone Rubber	
Coupling nut	Brass	Nickel
Solder tag	Brass	Nickel
Fastening nut	Brass	Nickel
Washer	Brass	Nickel

**Packing**

Single or 100

**Related Document**

Mounting Dimension MD18