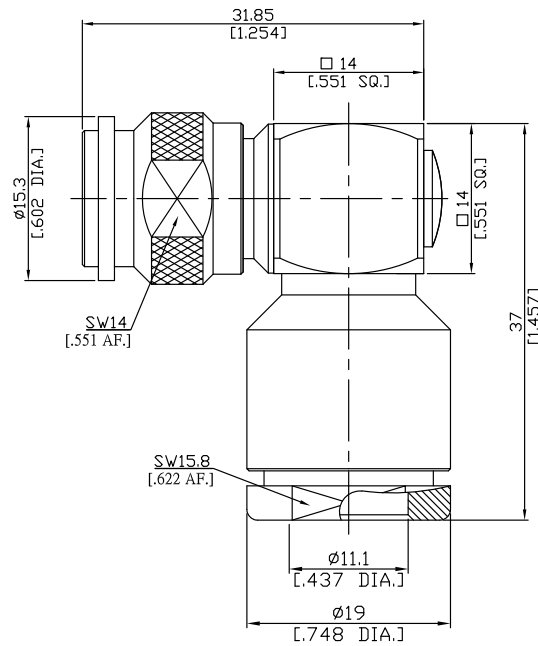




TNC Right Angle Cable Plug

TNC1D59-G214A/133



All dimensions are in mm [inch]

Tolerances according to DIN ISO 2768-mH

Interface

According to IEC 60169-17; MIL-C-39012; MIL-STD-348A/313

Electrical Data

Impedance 50 Ω
Frequency DC to 6 GHz
VSWR (Return Loss) ≤ 1.25 (≥ 19.1 dB)
Insertion Loss ≤ 0.05 dB

- Limitations are possible due to the used cable type -

Mechanical Data

Coupling mechanisms Screw-lock
Centre contact Soldered
Cable entry Clamp

Environmental Data

Temperature range -65°C to +165°C
RoHS compliant

Material And Plating

Connector parts	Material	Plating
Centre contact	Brass	Gold plating(Nickel underplated)
Body	Brass	Nickel
Insulator	PTFE	
Gasket	Silicone Rubber	
Coupling nut	Brass	Nickel

Suitable Cables

RG-214, RG-225, RG-393

Packing

Single or 100