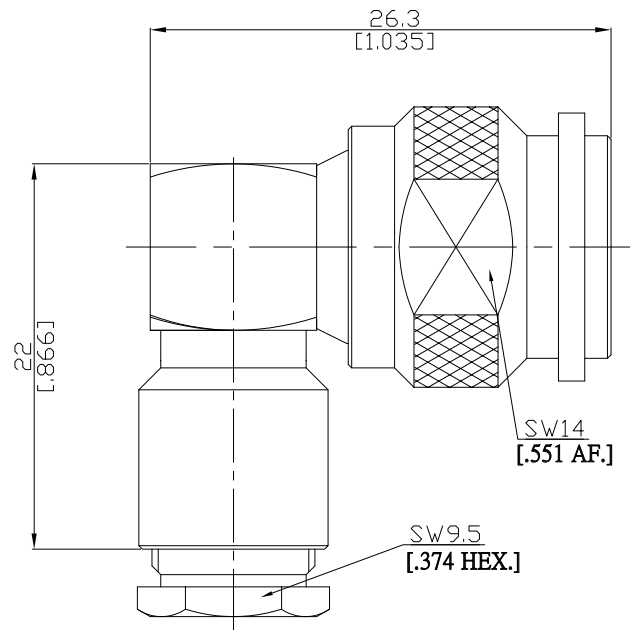


TNC Right Angle Cable Plug

TNC1D59-G058A/144



All dimensions are in mm [inch]  
Tolerances according to DIN ISO 2768-mH

**Interface**

According to IEC 60169-17; MIL-C-39012; MIL-STD-348A/313

**Electrical Data**

Impedance 50 Ω  
Frequency DC to 4 GHz  
VSWR (Return Loss) ≤ 1.22 (≥ 20.1 dB)  
Insertion Loss ≤ 0.05 dB

- Limitations are possible due to the used cable type and manufacturing process -

**Mechanical Data**

Coupling mechanisms Screw-lock  
Centre contact Soldered  
Cable entry Clamp

**Environmental Data**

Temperature range -65°C to +165°C  
RoHS compliant

**Material And Plating**

Connector parts	Material	Plating
Centre contact	Brass	Gold plating(Nickel underplated)
Body	Brass	Copper-Tin-Zinc Alloy
Insulator	PTFE	
Gasket	Silicone Rubber	
Coupling nut	Brass	Copper-Tin-Zinc Alloy

**Suitable Cables**

RG 58, RG 58A, RG 58C, RG 141, RG 303, BELDEN 7806A, BELDEN 9907, LMR 195

**Packing**

Single or 100