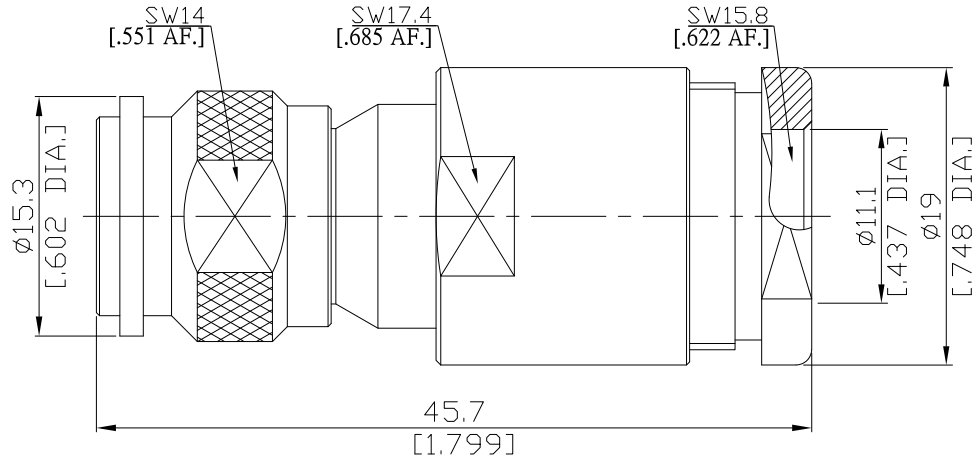




TNC Straight Cable Plug

TNC1D50-G214A/1XX



All dimensions are in mm [inch]  
Tolerances according to DIN ISO 2768-mH

**Interface**

According to IEC 60169-17; MIL-C-39012; MIL-STD-348A/313

**Electrical Data**

Impedance 50 Ω  
Frequency DC to 6 GHz  
VSWR (Return Loss) ≤ 1.22 (≥ 20.1 dB)  
Insertion Loss ≤ 0.05 dB

- Limitations are possible due to the used cable type -

**Mechanical Data**

Coupling mechanisms Screw-lock  
Centre contact Soldered or Crimped  
Cable entry Clamp

**Environmental Data**

Temperature range -65°C to +165°C  
RoHS compliant

**Material And Plating**

| Connector parts | Material        | Plating                          |
|-----------------|-----------------|----------------------------------|
| Centre contact  | Brass           | Gold plating(Nickel underplated) |
| Body            | Stainless Steel | Passivated                       |
| Insulator       | PTFE            |                                  |
| Gasket          | Silicone Rubber |                                  |
| Coupling nut    | Stainless Steel | Passivated                       |

**Suitable Cables**

RG-214, RG-225, RG-393

**Packing**

Single or 100