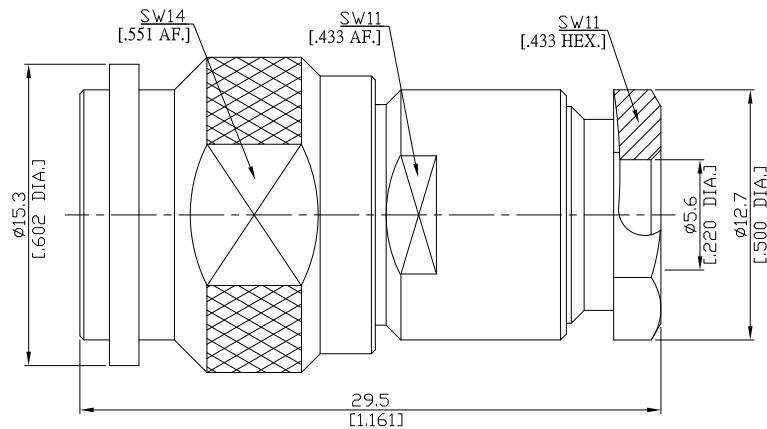


TNC Straight Cable Plug

TNC1D50-G058A/133



All dimensions are in mm [inch]
Tolerances according to DIN ISO 2768-mH

Interface

According to IEC 60169-17; MIL-C-39012; MIL-STD-348A/313

Electrical Data

Impedance: 50 Ω
 Frequency: DC to 4 GHz
 VSWR (Return Loss):
 ≤ 1.09 (≥ 27.3 dB), DC to 2 GHz
 ≤ 1.12 (≥ 24.9 dB), 2 to 3 GHz
 ≤ 1.22 (≥ 20.1 dB), 3 to 4 GHz
 Insertion Loss: $\leq 0.05 \times \sqrt{F}$ (GHz) dB

- Limitations are possible due to the used cable type -

Mechanical Data

Coupling mechanisms: Screw-lock
 Centre contact: Soldered or Crimped
 Cable entry: Clamp

Environmental Data

Temperature range: -65°C to +165°C
 RoHS: compliant

Material And Plating

Connector parts	Material	Plating
Centre contact	Brass	Gold plating(Nickel underplated)
Body	Brass	Nickel
Insulator	PTFE	
Gasket	Silicone Rubber	
Coupling nut	Brass	Nickel

Suitable Cables

RG 58, RG 58A, RG 58C, RG 141, RG 303, BELDEN 7806A, BELDEN 9907, LMR 195

Packing

Single or 100