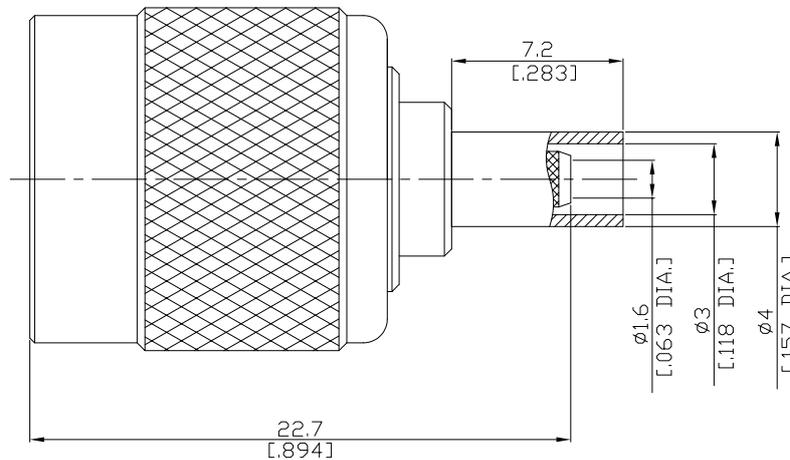


TNC(Male) Straight Cable Plug

TNC1C50-G316B/144



All dimensions are in mm [inch]

Tolerances according to DIN ISO 2768-mH

Interface

According to IEC 60169-17; MIL-STD-348A/313

Electrical Data

Impedance 50 Ω

Frequency DC to 6 GHz

- Limitations are possible due to the used cable type and manufacturing process -

Mechanical Data

Coupling mechanisms Screw-lock
Centre contact Crimped or Soldered
Cable entry Crimped

Environmental Data

Temperature range -65°C to +165°C

RoHS compliant

Material And Plating

Connector parts	Material	Plating
Centre contact	Brass	Gold plating(Nickel underplated)
Body	Brass	Copper-Tin-Zinc Alloy
Insulator	PTFE	
Gasket	Silicone Rubber	
Coupling nut	Brass	Copper-Tin-Zinc Alloy
Crimp ferrules	Brass	Copper-Tin-Zinc Alloy

Suitable Cables

RG-174, RG-188A, RG-316, BELDEN 7805

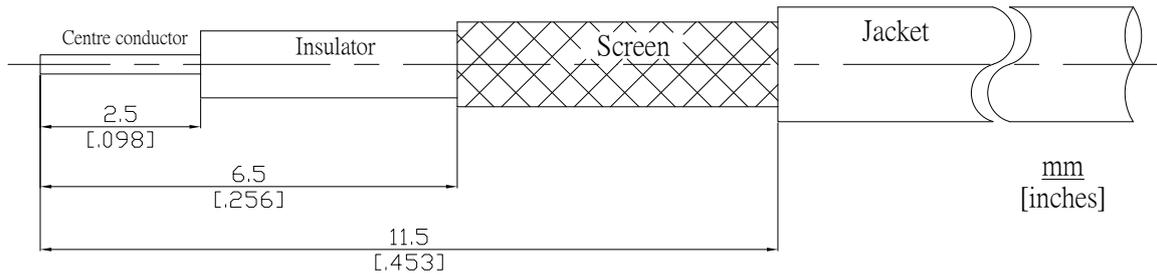
Packing

Single or 100

TNC(Male) Straight Cable Plug

TNC1C50-G316B/144

Recommended Cable Stripping Dimensions



Crimp Dimensions

Crimp ferrule 3.25 mm [.128 inch] HEX
Center Contact 0.7 mm [.028 inch] SQ