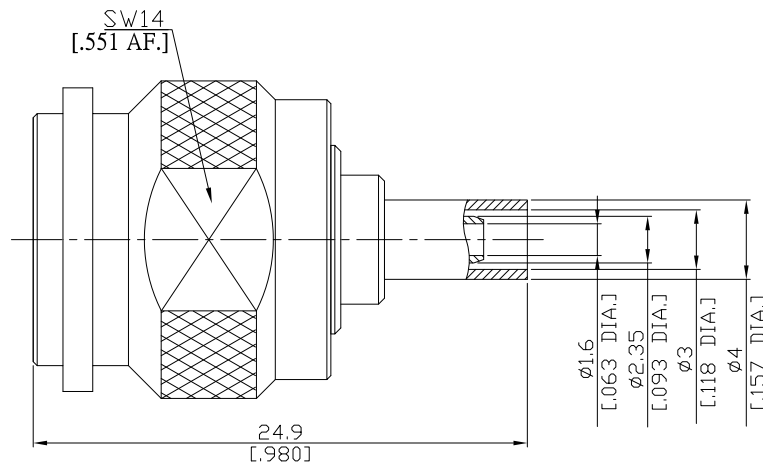


TNC Straight Cable Plug

TNC1C50-G316A/133



All dimensions are in mm [inch]  
Tolerances according to DIN ISO 2768-mH

**Interface**

According to IEC 60169-17; MIL-C-39012; MIL-STD-348A/313

**Electrical Data**

Impedance 50 Ω  
Frequency DC to 11 GHz  
VSWR (Return Loss) ≤ 1.08 (≥ 28.3 dB), DC to 1 GHz  
≤ 1.22 (≥ 20.1 dB), 1 to 2 GHz  
≤ 1.29 (≥ 17.9 dB), 2 to 11 GHz  
Insertion Loss ≤ 0.05 x √F (GHz) dB

- Limitations are possible due to the used cable type and manufacturing process -

**Mechanical Data**

Coupling mechanisms Screw-lock  
Centre contact Crimped or Soldered  
Cable entry Crimped

**Environmental Data**

Temperature range -65°C to +165°C  
RoHS compliant

**Material And Plating**

Connector parts	Material	Plating
Centre contact	Brass	Gold plating(Nickel underplated)
Body	Brass	Nickel
Insulator	PTFE	
Gasket	Silicone Rubber	
Coupling nut	Brass	Nickel
Crimp ferrules	Brass	Nickel

**Suitable Cables**

RG-174, RG-188A, RG-316, BELDEN 7805

**Packing**

Single or 100