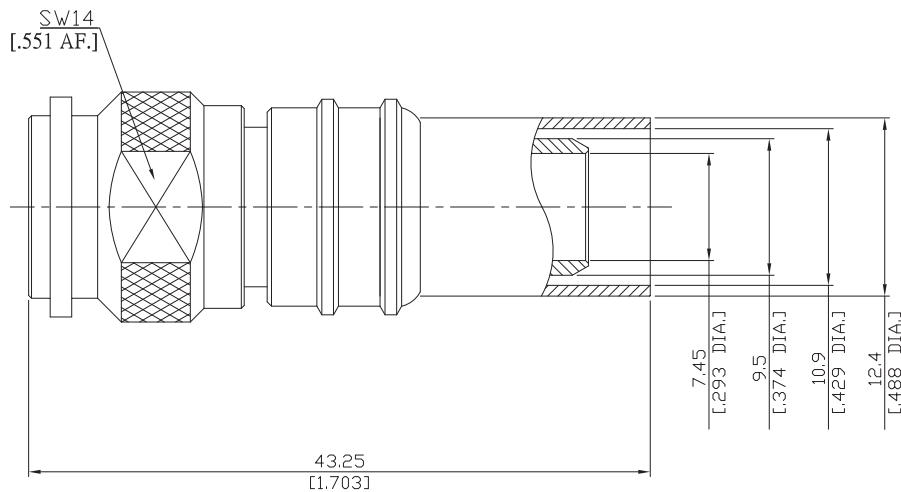


TNC Straight Cable Plug

TNC1C50-EZR400A/944



All dimensions are in mm [inch]
Tolerances according to DIN ISO 2768-mH

Interface

According to IEC 60169-17; MIL-C-39012; MIL-STD-348A/313

Electrical Data

Impedance 50 Ω
Frequency DC to 8 GHz
VSWR (Return Loss) ≤ 1.25 (≥ 19.1 dB)
Insertion Loss ≤ 0.05 × √F (GHz) dB

- Limitations are possible due to the used cable type -

Mechanical Data

Coupling mechanisms Screw-lock
Centre contact Plug-in
Cable entry Crimped

Environmental Data

Temperature range -65°C to +165°C
RoHS compliant
Ingress Protection (IP) Rating IP 67 Rated

Material And Plating

Connector parts	Material	Plating
Centre contact	Beryllium Copper	Gold plating(Nickel underplated)
Body	Brass	Copper-Tin-Zinc Alloy
Insulator	PTFE	
Gasket	Silicone Rubber	
Coupling nut	Brass	Copper-Tin-Zinc Alloy
Crimp ferrules	Brass	Copper-Tin-Zinc Alloy

Suitable Cables

LMR 400,RNL400, Belden 7810A, Belden 8214, Belden 9913

Packing

Single or 100