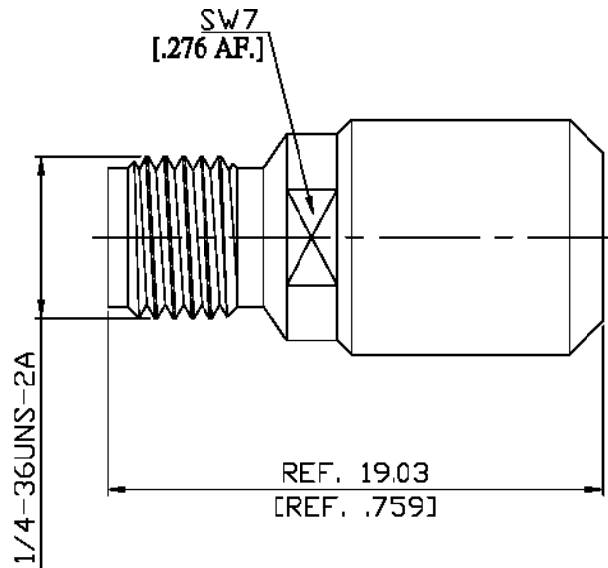




1 Watt RF Termination Load Up to 26.5 GHz with
3.5mm Jack (Female) Stainless Steel Passivated

T-PC25-26.5G1WA/9X



All dimensions are in mm [inch]
Tolerances according to DIN ISO 2768-mH

Interface

According to IEC 60169-23; IEEE Std 287
Mechanically compatible with SMA and 2.92 mm

Electrical Data

Impedance 50 Ω
Frequency DC to 26.5 GHz
VSWR (Return Loss) ≤ 1.10 (≥ 26.44 dB)
Power rating (Watt) 1 W

Mechanical Data

Coupling mechanisms Screw-lock
Weight N/A

Environmental Data

Temperature range -40°C to +85°C
RoHS compliant

Material And Plating

Connector parts	Material	Plating
Centre contact	Beryllium Copper	Gold plating (Nickel underplated)
Body	Stainless Steel	Passivated
Insulator	PS	
Coupling nut	Stainless Steel	Passivated

Packing

Single