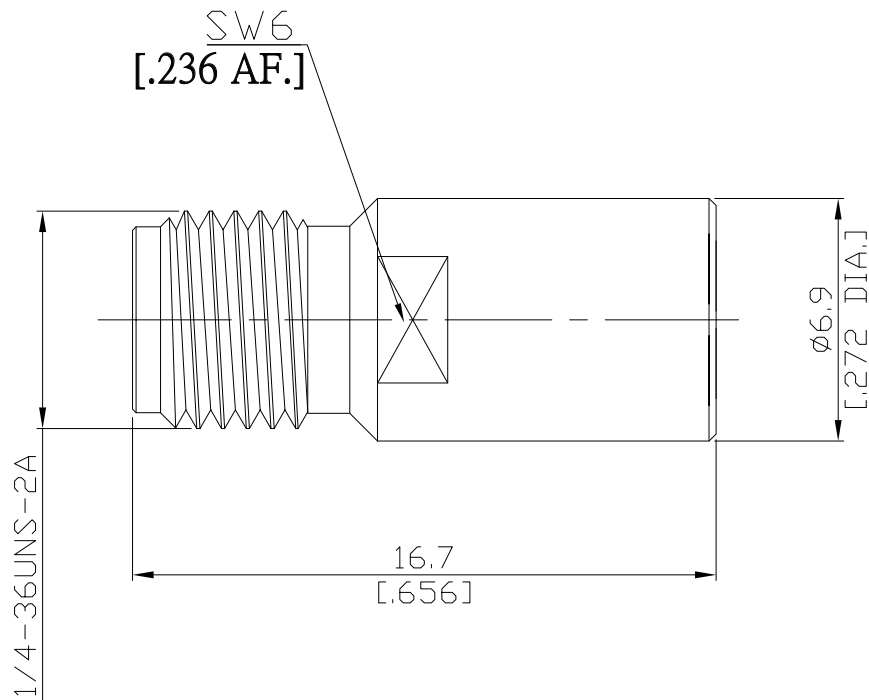


SMA Termination Jack

T-A25-12.4G2WA/91



All dimensions are in mm [inch]

Tolerances according to DIN ISO 2768-mH

Interface

According to IEC 60169-15; MIL-C-39012; MIL-STD-348A/310

Electrical Data

Impedance 50 Ω
 Frequency DC to 12.4 GHz
 VSWR (Return loss) ≤ 1.20 (≥ 20.83 dB)
 Power rating (Watt) 2 W

Mechanical Data

Coupling mechanisms Screw-lock
 Weight 0.0043 kg

Environmental Data

Temperature range -55°C to +125°C
 RoHS compliant

Material And Plating

Connector parts	Material	Plating
Centre contact	Beryllium Copper	Gold plating(Nickel underplated)
Body	Brass	Gold plating(Nickel underplated)
Insulator	PTFE	

Packing

Single or 100