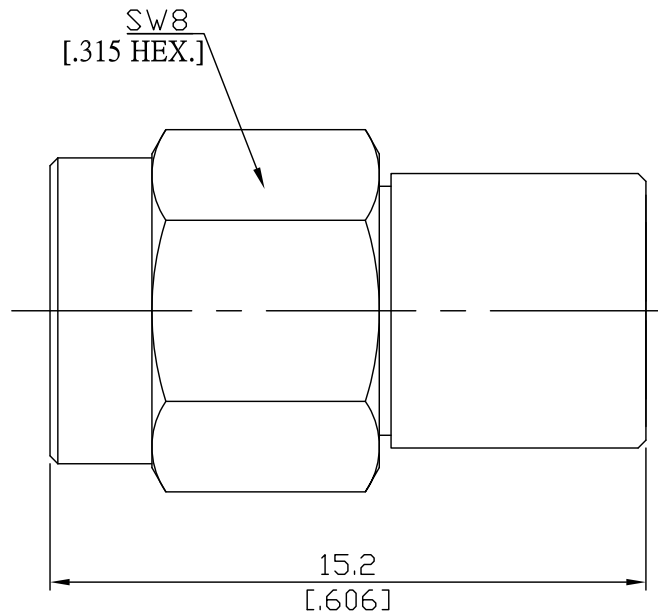


2 Watt Termination with SMA Plug (Male)  
Up to 18 GHz, VSWR ≤ 1.20

T-A15-18G2WA/H44



All dimensions are in mm [inch]  
Tolerances according to DIN ISO 2768-mH

#### Interface

According to IEC 60169-15; MIL-STD-348B/310

#### Electrical Data

Impedance 50 Ω  
Frequency DC to 18 GHz  
VSWR ≤ 1.20 (≥ 20.83 dB)  
Power rating (Watt) 2 Watts average @ 25°C ambient temperature  
derated linearly to 0.2 watt @ 100°C.  
500 watts peak (5 µsec pulse width; 0.2% duty cycle).

#### Mechanical Data

Coupling mechanisms Screw-lock  
Weight N/A

#### Environmental Data

Temperature range -55°C to +125°C  
RoHS compliant

#### Material And Plating

| Connector parts | Material        | Plating                          |
|-----------------|-----------------|----------------------------------|
| Centre contact  | Phosphor Bronze | Gold plating(Nickel underplated) |
| Body            | Brass           | Copper-Tin-Zinc Alloy            |
| Insulator       | PTFE            |                                  |
| Gasket          | Silicone Rubber |                                  |
| Coupling nut    | Brass           | Copper-Tin-Zinc Alloy            |

#### Packing

Single or 100