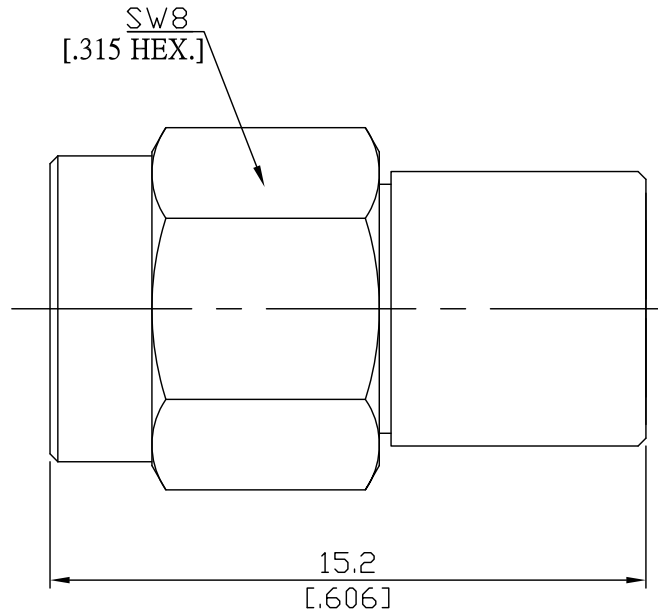




2 Watt Termination Up to 18 GHz  
SMA Plug (Male)

T-A15-18G2WA/9XX



All dimensions are in mm [inch]

Tolerances according to DIN ISO 2768-mH

#### Interface

According to IEC 60169-15; MIL-C-39012; MIL-STD-348A/310

#### Electrical Data

Impedance 50  $\Omega$   
 Frequency DC to 18 GHz  
 VSWR (Return loss)  $\leq 1.20$  ( $\geq 20.83$  dB)  
 Power rating (Watt) 2 Watts average @ 25°C ambient temperature  
 derated linearly to 0.2 watt @ 100°C.  
 500 watts peak (5  $\mu$ sec pulse width; 0.2% duty cycle).

#### Mechanical Data

Coupling mechanisms Screw-lock  
 Weight 0.0053 kg

#### Environmental Data

Temperature range -55°C to +125°C  
 RoHS compliant

#### Material And Plating

Connector parts	Material	Plating
Centre contact	Beryllium Copper	Gold plating(Nickel underplated)
Body	Stainless Steel	Passivated
Insulator	PTFE	
Gasket	Silicone Rubber	
Coupling nut	Stainless Steel	Passivated

#### Packing

Single or 100