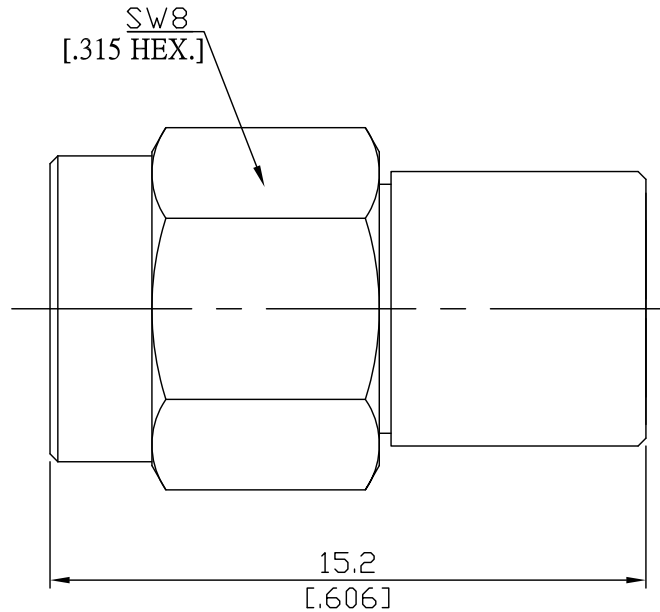




SMA Terminations Plug

T-A15-18G2WA/1XX



All dimensions are in mm [inch]

Tolerances according to DIN ISO 2768-mH

**Interface**

According to IEC 60169-15, MIL-STD-348A/310

**Electrical Data**

Impedance 50 Ω  
 Interface frequency max. DC to 18 GHz  
 VSWR (Return Loss) ≤ 1.15 (≥ 23.13)  
 Power rating (Watt) 2 W

**Mechanical Data**

Coupling mechanisms Screw-lock  
 Weight 0.0053 kg

**Environmental Data**

Temperature range -55°C to +125°C  
 RoHS compliant

**Material And Plating**

| Connector parts | Material        | Plating                          |
|-----------------|-----------------|----------------------------------|
| Centre contact  | Brass           | Gold plating(Nickel underplated) |
| Body            | Brass           | Gold plating(Nickel underplated) |
| Insulator       | PTFE            |                                  |
| Gasket          | Silicone Rubber |                                  |
| Coupling nut    | Stainless Steel | Passivated                       |

**Packing**

Single or 100