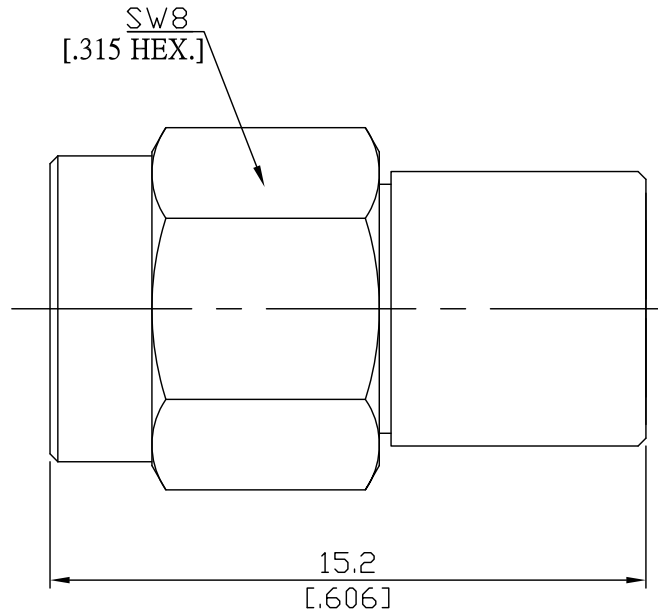




2 Watt Termination Up to 18 GHz with
SMA Plug (Male) Passivated Stainless Steel

T-A15-18G2WA/HXX



All dimensions are in mm [inch]

Tolerances according to DIN ISO 2768-mH

Interface

According to IEC 60169-15; MIL-C-39012; MIL-STD-348A/310

Electrical Data

Impedance 50 Ω
 Frequency DC to 18 GHz
 VSWR ≤ 1.20
 Power rating (Watt) 2 Watts average @ 25°C ambient temperature
 derated linearly to 0.2 watt @ 100°C.
 500 watts peak (5 μsec pulse width; 0.2% duty cycle).

Mechanical Data

Coupling mechanisms Screw-lock
 Weight 0.0053 kg

Environmental Data

Temperature range -55°C to +125°C
 RoHS compliant

Material And Plating

Connector parts	Material	Plating
Centre contact	Phosphor Bronze	Gold plating(Nickel underplated)
Body	Stainless Steel	Passivated
Insulator	PTFE	
Gasket	Silicone Rubber	
Coupling nut	Stainless Steel	Passivated

Packing

Single or 100