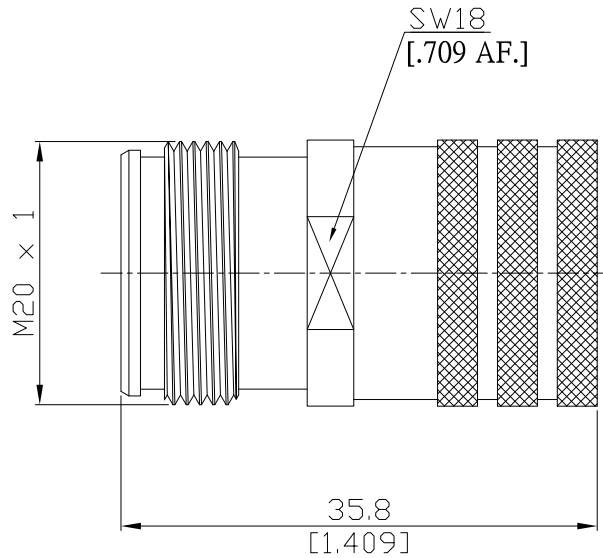


4.3-10 (Female) Termination Jack

T-431025-6G2W/94



All dimensions are in mm [inch]
Tolerances according to DIN ISO 2768-mH

Interface
According to IEC 61169-54

Electrical Data
Impedance 50 Ω
Frequency DC to 6 GHz
VSWR (Return Loss) ≤ 1.15 (≥ 23.13 dB)
Power rating 2 W

Mechanical Data
Coupling mechanisms Screw-lock
Weight N/A
Mating cycles ≥500

Environmental Data
Temperature range -55°C to +125°C
RoHS compliant
REACH compliant

Material And Plating

Connector parts	Material	Plating
Centre contact	Beryllium Copper	Gold plating(Nickel underplated)
Body	Brass	Copper-Tin-Zinc Alloy
Insulator	PTFE	

Packing
Single or 100