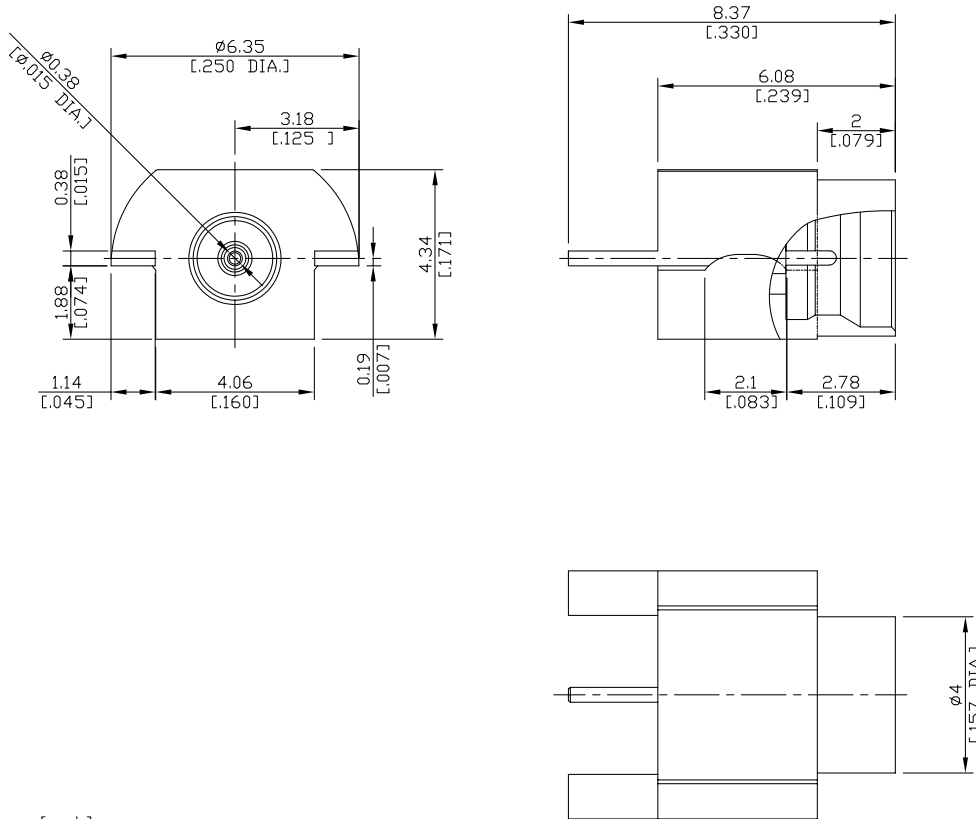


SMP (Male) Straight PCB Edge Mount Plug
(Full Detent), DC-18 GHz

SMP1JF50-0837A/99



All dimensions are in mm [inch]
Tolerances according to DIN ISO 2768-mH

Interface

According to MIL-STD-348A/326.2 (Full Detent)

Electrical Data

Impedance 50 Ω
Frequency DC to 18 GHz
VSWR (Return Loss) DC-6 GHz: ≤ 1.25 (≥ 19.08 dB) 6-18 GHz: ≤ 1.35 (≥ 16.54 dB)

Mechanical Data

Coupling mechanisms Snap-on
Board mounting type Edge Mount
Mating cycles ≥ 100

Environmental Data

Temperature range -65°C to +165°C
RoHS compliant

Material And Plating

Connector parts	Material	Plating
Centre contact	Beryllium Copper	Gold plating - 50 microinch (Nickel underplated)
Body	Beryllium Copper	Gold plating - 50 microinch (Nickel underplated)
Insulator	PTFE	

Packing

Single or 100