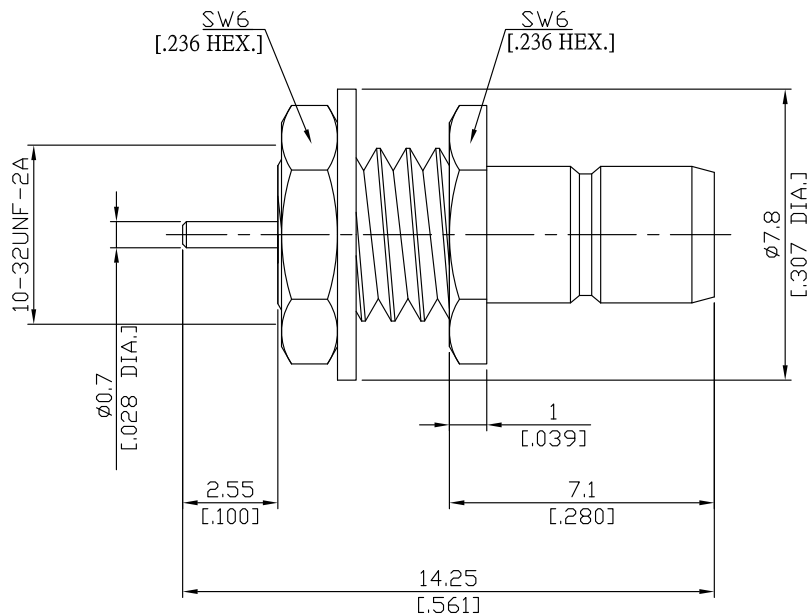


SMB Straight Bulkhead Receptacle Jack
Coaxial End

SMB2FA50-1425B/11



All dimensions are in mm [inch]
Tolerances according to DIN ISO 2768-mH

Interface

According to IEC 60169-10; MIL-C-39012; MIL-STD-348A/311

Electrical Data

Impedance 50 Ω
Frequency DC to 4 GHz

Mechanical Data

Coupling mechanisms Snap-on
Weight 0.0011 kg

Environmental Data

Temperature range -65°C to +165°C
RoHS compliant

Material And Plating

Piece Parts	Material	Plating
Centre contact	Brass	Gold plating(Nickel underplated)
Body	Brass	Gold plating(Nickel underplated)
Insulator	PTFE	
Fastening nut	Brass	Gold plating(Nickel underplated)
Washer	Brass	Gold plating(Nickel underplated)

Packing

Single or 100

Related Document

Mounting Dimension MD58