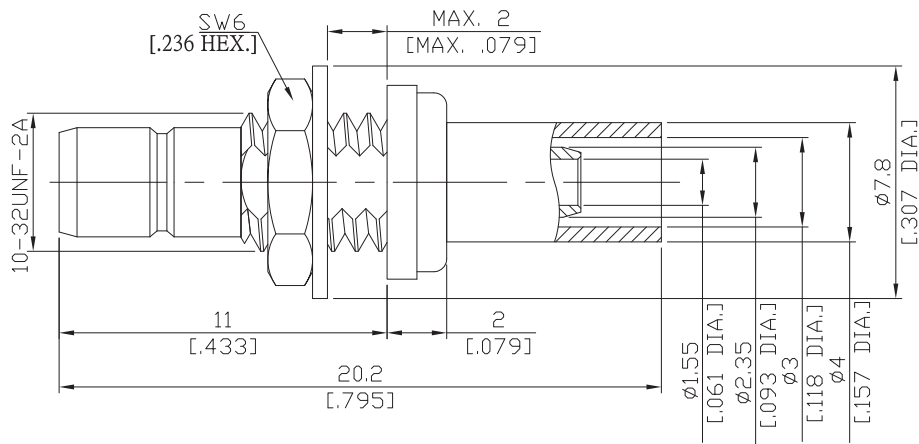


SMB Straight Bulkhead Cable Jack

SMB2CA50-G316A/11



All dimensions are in mm [inch]

Interface

According to IEC 60169-15; MIL-C-39012; MIL-STD-348A/311

Electrical Data

Impedance 50 Ω
 Frequency DC to 4 GHz
 VSWR (Return Loss) ≤ 1.22 (≥ 20dB)
 Insertion Loss ≤ 0.05 dB

- Limitations are possible due to the used cable type -

Mechanical Data

Coupling mechanisms Snap-lock
 Centre contact Soldered or Crimped
 Cable entry Crimped

Environmental Data

Temperature range -65°C to +165°C
 RoHS compliant

Material And Plating

| Connector parts | Material | Plating |
|-----------------|----------|------------------------------|
| Centre contact | Brass | Gold-Nickel-Phosphorus Alloy |
| Body | Brass | Gold-Nickel-Phosphorus Alloy |
| Insulator | PTFE | |
| Crimp ferrules | Brass | Gold-Nickel-Phosphorus Alloy |
| Fastening nut | Brass | Gold-Nickel-Phosphorus Alloy |
| Washer | Brass | Gold-Nickel-Phosphorus Alloy |

Suitable Cables

RG-174, RG-188A, RG-316, Belden 7805

Packing

Single or 100

Related Document

Mounting Dimension MD4